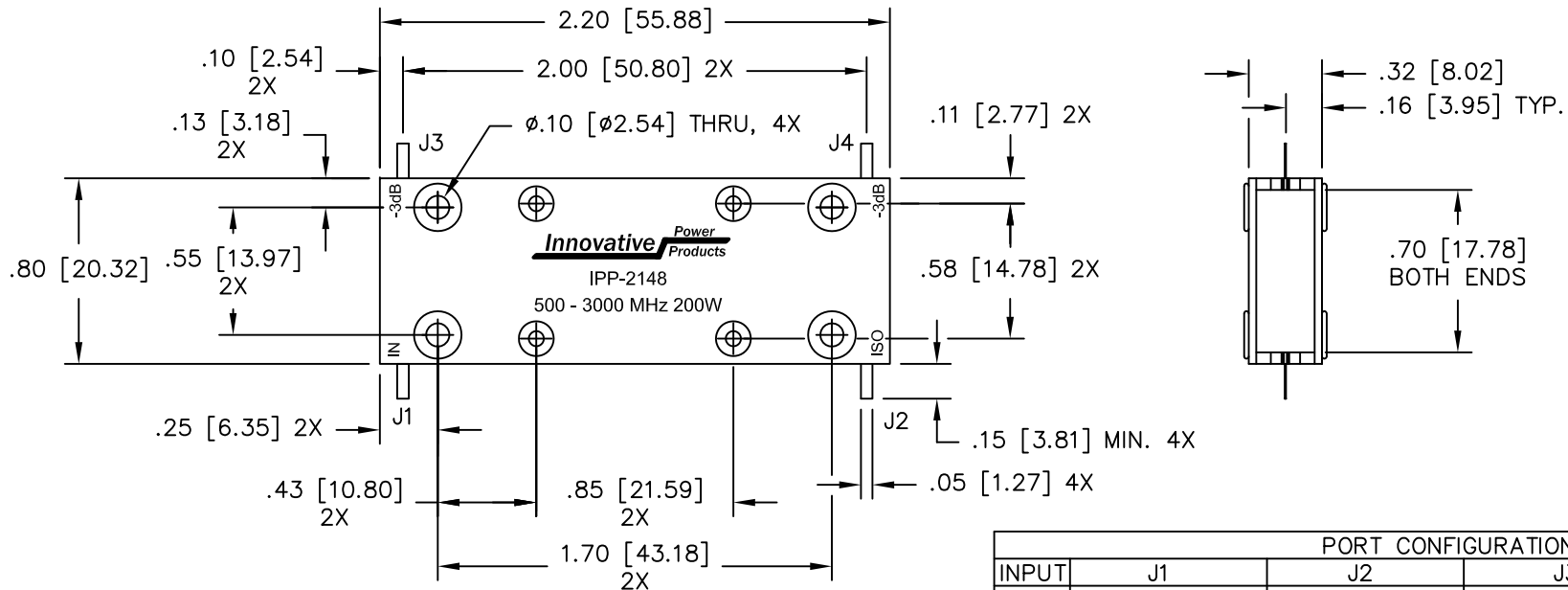
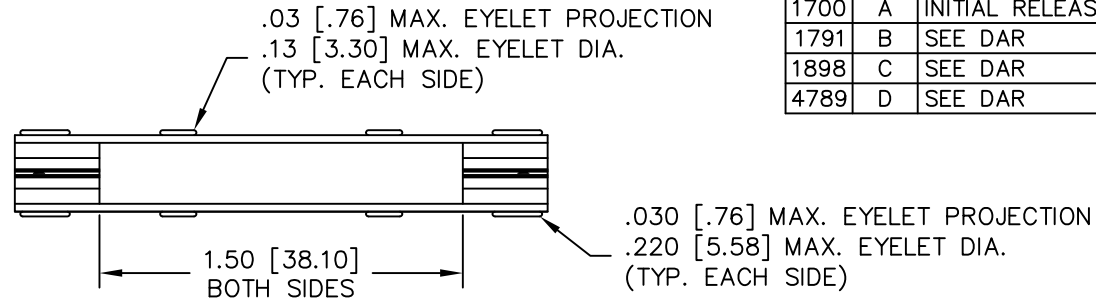


UNAUTHORIZED USE OF THIS
DRAWING IS STRICTLY PROHIBITED

DAR	REV	DESCRIPTION	APPVD	DATE
1700	A	INITIAL RELEASE	DG	1-09
1791	B	SEE DAR	DG	3-09
1898	C	SEE DAR	DG	6-09
4789	D	SEE DAR	DG	2-14



ELECTRICAL SPECIFICATIONS

FREQUENCY:	500 - 3000 MHz.
INSERTION LOSS:	< 0.50 dB
VSWR:	< 1.32:1
ISOLATION:	> 17 dB
AMPLITUDE BALANCE:	±0.70 dB
PHASE BALANCE:	±5°
POWER:	200 WATT
TEMPERATURE:	-55°C TO 85°C

PORT CONFIGURATION				
INPUT	J1	J2	J3	J4
J1	---	ISOLATION	-3dB<0 DEG	-3dB<-90 DEG
J2	ISOLATION	---	-3dB<-90 DEG	-3dB<0 DEG
J3	-3dB<0 DEG	-3dB<-90 DEG	---	ISOLATION
J4	-3dB<-90 DEG	-3dB<0 DEG	ISOLATION	---

NOTES:

- LEAD MATERIAL: 99.99% PURE SILVER .005 [.127] THICK.
- SEE 90° APPLICATION NOTE FOR FURTHER INFORMATION.
- RoHS COMPLIANT.
- DATA AND SPECIFICATIONS APPLY WHEN PART IS MOUNTED IN IPP TEST FIXTURE TF-1080. TEST FIXTURE CONFIGURATION/FOOTPRINT AVAILABLE ON REQUEST.

MATERIAL AL. ALLOY, 6061-T6	DWN	DG	DATE	12-08	Innovative Power Products				
	ENG	TJD	DATE	12-08					
FINISH CHEM FILM CLEAR PER MIL-DTL-5541, TYPE 2, REV F, CLASS 3, ROHS COMPLIANT	MANUF	TP	DATE	12-08	TITLE OUTLINE, COUP., 90°, 500 - 3000 MHz. 200W				
	CAGE CODE: 437R2								
TOLERANCE .XX ±.02 [.50] .XXX ±.005 [.127] ANG. ±1/2°	SHEET	OF	SCALE		SIZE	P/N	IPP-2148	REV.	D
	1	1	2:1		B				