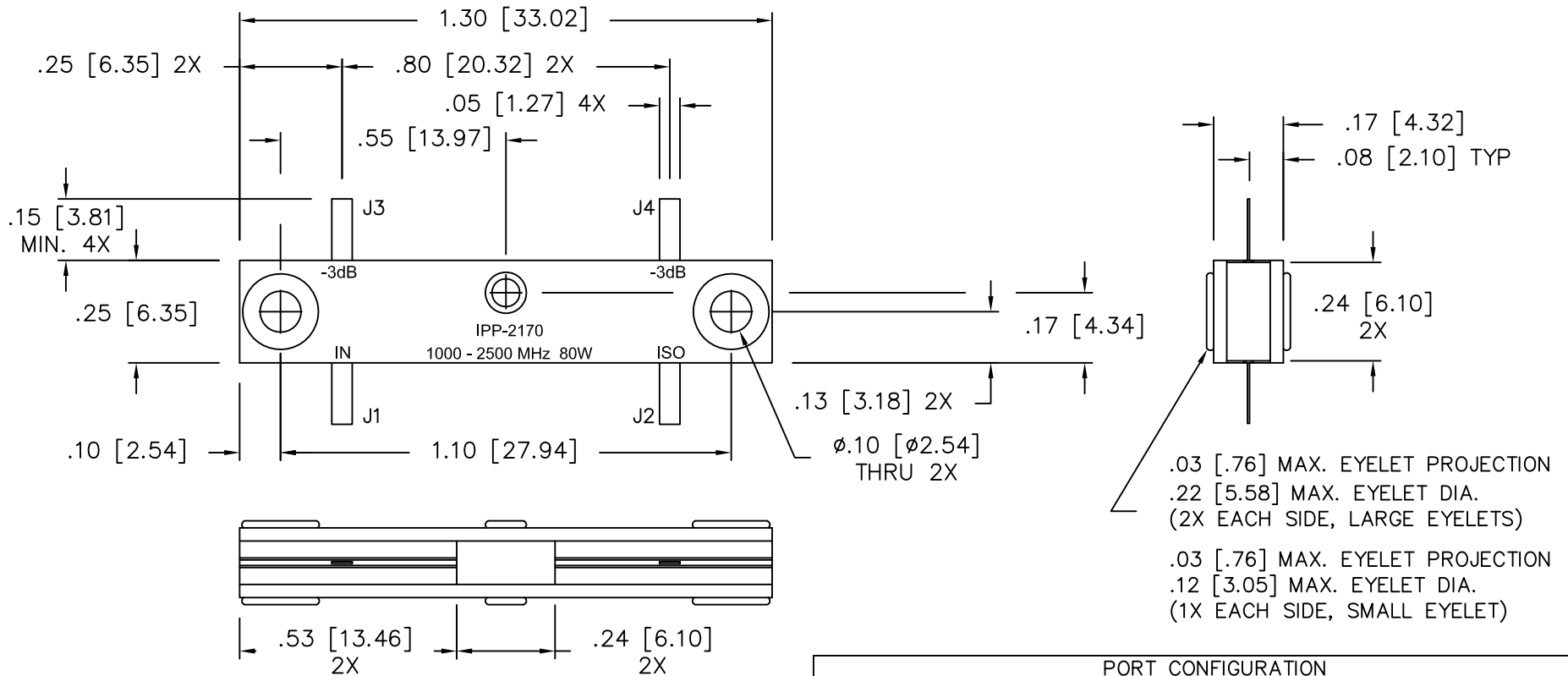


UNAUTHORIZED USE OF THIS  
DRAWING IS STRICTLY PROHIBITED

DAR	REV	DESCRIPTION	APPVD	DATE
1997	A	INITIAL RELEASE	DG	8-09
4659	B	SEE DAR	DG	10-13



**ELECTRICAL SPECIFICATIONS**

FREQUENCY:	1000 - 2500 MHz.
INSERTION LOSS:	< 0.25 dB
VSWR:	< 1.25:1
ISOLATION:	> 19 dB
AMPLITUDE BALANCE:	$\pm 0.65$ dB
PHASE BALANCE:	$\pm 5^\circ$
POWER:	80 WATT
TEMPERATURE:	-55°C TO 85°C
NO DAMAGE:	ANY SOURCE/LOAD
	VSWR

**NOTES:**

- LEAD MATERIAL: 99.99% PURE SILVER .005 [.127] THICK.
- SEE 90° APPLICATION NOTE FOR FURTHER INFORMATION.
- RoHS COMPLIANT.
- DATA AND SPECIFICATIONS APPLY WHEN PART IS MOUNTED IN IPP TEST FIXTURE TF-1085. TEST FIXTURE CONFIGURATION/FOOTPRINT AVAILABLE ON REQUEST.

PORT CONFIGURATION				
INPUT	J1	J2	J3	J4
J1	---	ISOLATION	-3dB<0 DEG	-3dB<-90 DEG
J2	ISOLATION	---	-3dB<-90 DEG	-3dB<0 DEG
J3	-3dB<0 DEG	-3dB<-90 DEG	---	ISOLATION
J4	-3dB<-90 DEG	-3dB<0 DEG	ISOLATION	---

MATERIAL	DWN S.Cornell	DATE 4-28-09	<b>Innovative Power Products</b>		
AL. ALLOY, 6061-T6	ENG TJD	DATE 4-28-09			
FINISH	MANUF RR	DATE 4-28-09	TITLE		
CHEM FILM, CLEAR, PER MIL-DTL-5541, TYPE 2, REV. F, CLASS 3 (ROHS COMPLIANT)	CAGE CODE: 437R2		OUTLINE, COUP., 90°, 1000 - 2500 MHz. 80W		
TOLERANCE	SHEET OF	SCALE	SIZE	P/N	REV.
IN [MM]	1 1	4:1	B	IPP-2170	B
.XX $\pm .02$ [.50]					
.XXX $\pm .005$ [.127]					
ANG. $\pm 1/2^\circ$					