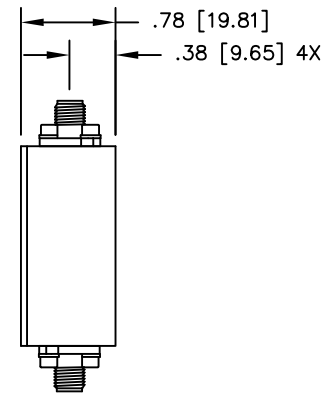
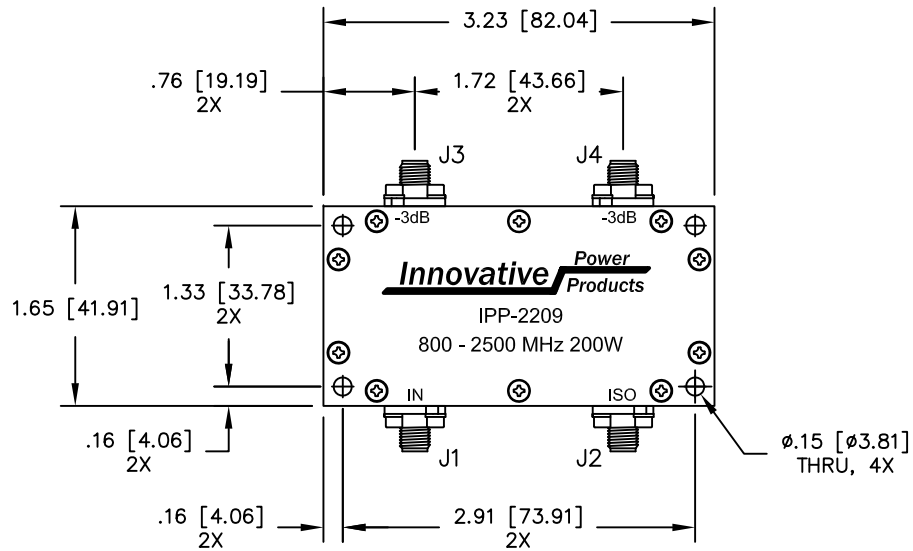


UNAUTHORIZED USE OF THIS
DRAWING IS STRICTLY PROHIBITED

DAR	REV	DESCRIPTION	APPVD	DATE
2580	A	INITIAL RELEASE	DG	7-10
4663	B	SEE DAR	DG	11-13



NOTES

- CONNECTORS:
TYPE "SMA" FEMALE.
- SEE 90° APPLICATION
NOTE FOR FURTHER
INFORMATION.

ELECTRICAL SPECIFICATIONS

FREQUENCY:	800 - 2500 MHz.
INSERTION LOSS:	<0.75 dB
VSWR:	<1.30:1
ISOLATION:	>18dB
AMPLITUDE BALANCE:	±0.60dB
PHASE BALANCE:	±5°
POWER:	200 WATT
TEMPERATURE:	-55°C TO 85°C

PORT CONFIGURATION				
INPUT	J1	J2	J3	J4
J1	---	ISOLATION	-3dB<0 DEG	-3dB<-90 DEG
J2	ISOLATION	---	-3dB<-90 DEG	-3dB<0 DEG
J3	-3dB<0 DEG	-3dB<-90 DEG	---	ISOLATION
J4	-3dB<-90 DEG	-3dB<0 DEG	ISOLATION	---

MATERIAL AL. ALLOY, 6061-T651	DWN S.Cornell	DATE 4-2-10				
	ENG DG	DATE 4-10				
FINISH CHEM FILM, CLEAR, PER MIL-DTL-5541, TYPE 2, REV. F, CLASS 3 (ROHS COMPLIANT)	MANUF	DATE	TITLE OUTLINE, COUP., 90°, 800 - 2500 MHz. 200W			
	CAGE CODE: 437R2					
TOLERANCE IN [MM]	.XX ±.02 [.50]	SHEET OF 1 1	SCALE 1:1	SIZE	P/N	REV.
	.XXX ±.005 [.127] ANG. ±1/2°			B	IPP-2209	B