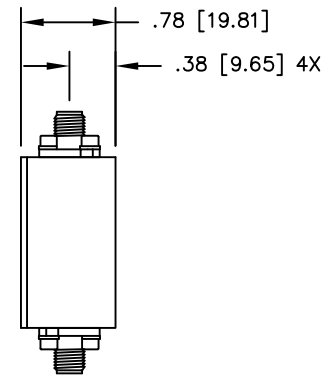
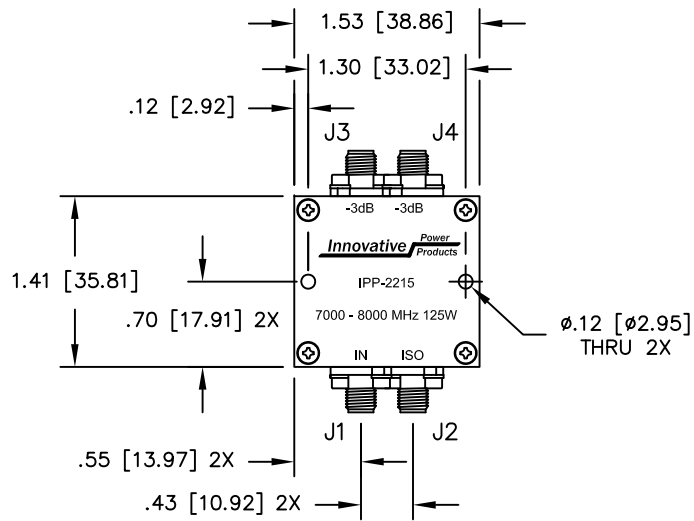


UNAUTHORIZED USE OF THIS
DRAWING IS STRICTLY PROHIBITED

DAR	REV	DESCRIPTION	APPVD	DATE
2405	1	PRE-RELEASE	DG	4-10
4663	2	SEE DAR	DG	11-13

PRELIMINARY
DIMENSIONS AND SPECIFICATIONS
ARE SUBJECT TO CHANGE UNTIL
INITIAL RELEASE OF DRAWING.



NOTES

- SEE 90° APPLICATION NOTE FOR FURTHER INFORMATION.
- CONNECTORS:
TYPE "SMA" FEMALE.

ELECTRICAL SPECIFICATIONS

FREQUENCY:	7000 - 8000 MHz.
INSERTION LOSS:	<0.60 dB
VSWR:	<1.30:1
ISOLATION:	>17dB
AMPLITUDE BALANCE:	±.35dB
PHASE BALANCE:	±5°
POWER:	125 WATT
TEMPERATURE:	-55°C TO 85°C

PORT CONFIGURATION				
INPUT	J1	J2	J3	J4
J1	---	ISOLATION	-3dB<0 DEG	-3dB<-90 DEG
J2	ISOLATION	---	-3dB<-90 DEG	-3dB<0 DEG
J3	-3dB<0 DEG	-3dB<-90 DEG	---	ISOLATION
J4	-3dB<-90 DEG	-3dB<0 DEG	ISOLATION	---

MATERIAL AL. ALLOY, 6061-T651	DWN S.Cornell	DATE 4-5-10	Innovative Power Products		
	ENG DG	DATE 4-10			
FINISH CHEM FILM, CLEAR, PER MIL-DTL-5541, TYPE 2, REV. F, CLASS 3 (ROHS COMPLIANT)	MANUF	DATE	TITLE OUTLINE, COUP., 90°, 7000 - 8000 MHz. 125W		
	CAGE CODE: 437R2			SIZE B	P/N
TOLERANCE IN [MM]	.XX ±.02 [.50] .XXX ±.005 [.127] ANG. ±1/2°	SHEET 1 OF 1	SCALE 1:1	REV. 2	