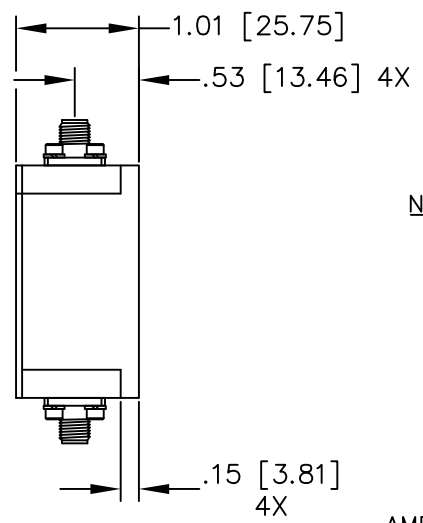
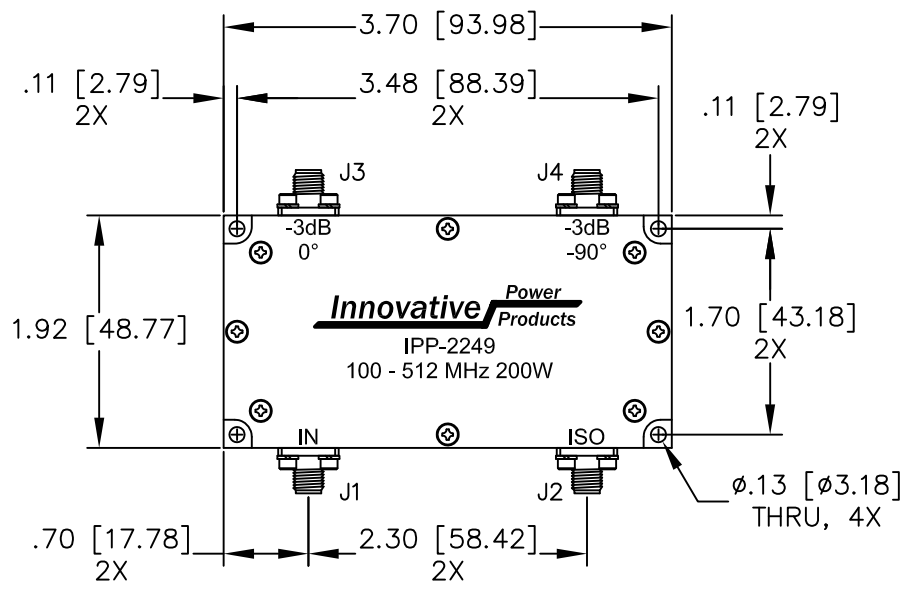


UNAUTHORIZED USE OF THIS
DRAWING IS STRICTLY PROHIBITED

DAR	REV	DESCRIPTION	APPVD	DATE
3094	A	INITIAL RELEASE	DG	5-11
3177	B	SEE DAR	DG	7-11
3211	C	SEE DAR	TJD	7-11
3454	D	SEE DAR	TJD	1-12
4668	E	SEE DAR	DG	11-13



NOTES

- CONNECTORS: TYPE "SMA" FEMALE.
- SEE 90° APPLICATION NOTE FOR FURTHER INFORMATION.

ELECTRICAL SPECIFICATIONS

FREQUENCY:	100 - 512 MHz.
INSERTION LOSS:	< 0.50 dB
VSWR:	< 1.30:1
ISOLATION:	> 17 dB
AMPLITUDE BALANCE:	±0.65 dB
PHASE BALANCE:	±5°
POWER:	200 WATT
TEMPERATURE:	-55°C TO 85°C

PORT CONFIGURATION				
INPUT	J1	J2	J3	J4
J1	---	ISOLATION	-3dB<0 DEG	-3dB<-90 DEG
J2	ISOLATION	---	-3dB<-90 DEG	-3dB<0 DEG
J3	-3dB<0 DEG	-3dB<-90 DEG	---	ISOLATION
J4	-3dB<-90 DEG	-3dB<0 DEG	ISOLATION	---

MATERIAL AL. ALLOY, 6061-T651	DWN	DG	DATE	10-10			
	ENG	TJD	DATE	10-10			
FINISH CHEM FILM, CLEAR, PER MIL-DTL-5541, TYPE 2, REV. F, CLASS 3 (ROHS COMPLIANT)	MANUF	DATE		TITLE OUTLINE, COUP., 90°, 100 - 512 MHz. 200W			
	CAGE CODE: 437R2				SIZE	P/N	IPP-2249
TOLERANCE	.XX ±.02 [.50]	SHEET	OF	SCALE	B		E
IN [MM]	.XXX ±.005 [.127]	1	1	1:1			
	ANG. ±1/2°						