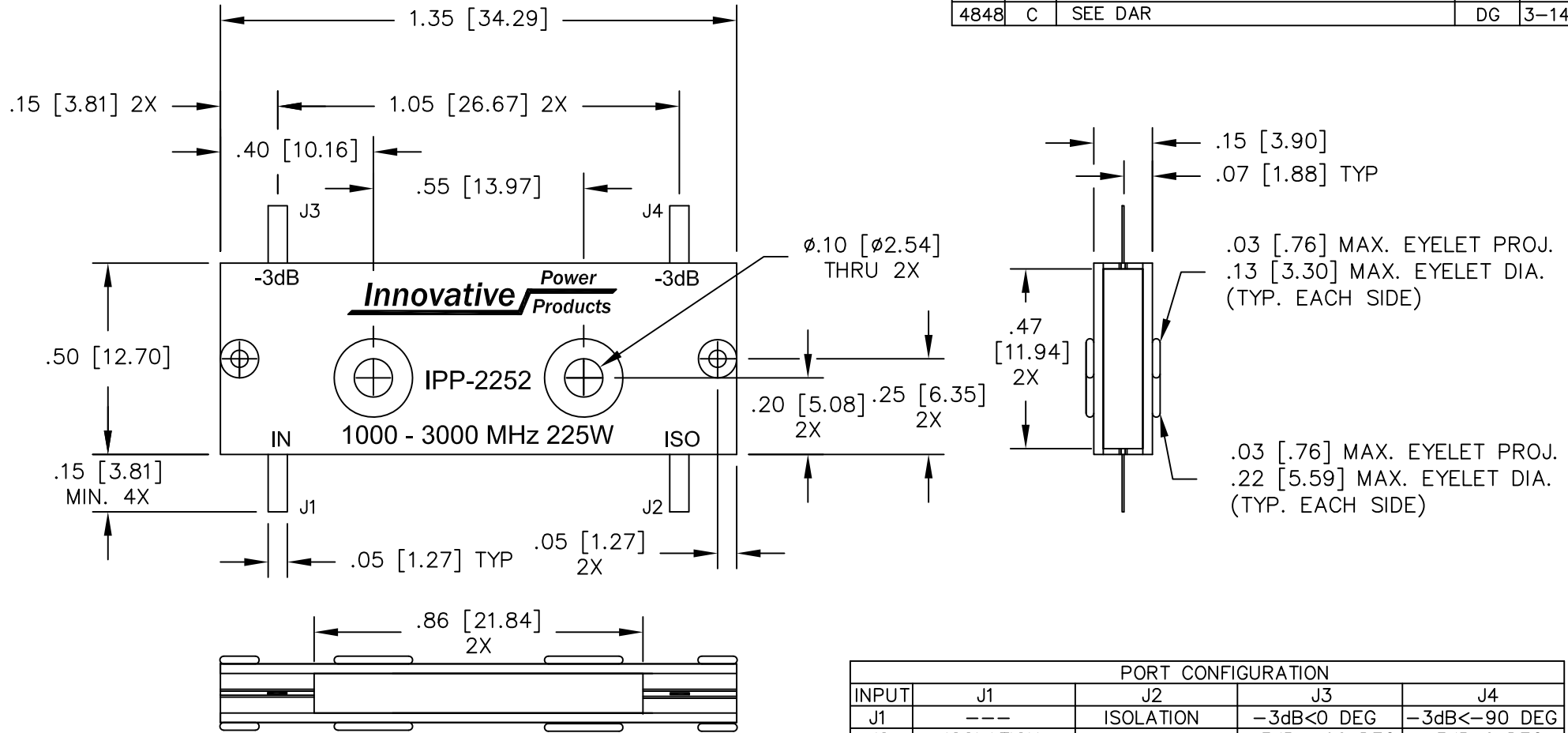


UNAUTHORIZED USE OF THIS
DRAWING IS STRICTLY PROHIBITED

DAR	REV	DESCRIPTION	APPVD	DATE
2836	A	INITIAL RELEASE	DG	12-10
3763	B	SEE DAR	DG	7-12
4848	C	SEE DAR	DG	3-14



ELECTRICAL SPECIFICATIONS

- NOTES:**
- LEAD MATERIAL: 99.99% PURE SILVER .005 [.127] THICK.
 - SEE 90° APPLICATION NOTE FOR FURTHER INFORMATION.
 - RoHS COMPLIANT.
 - DATA AND SPECIFICATIONS APPLY WHEN PART IS MOUNTED IN IPP TEST FIXTURE TF-1000. TEST FIXTURE CONFIGURATION/FOOTPRINT AVAILABLE ON REQUEST.
- FREQUENCY: 1000 - 3000 MHz.
 INSERTION LOSS: < 0.3dB
 VSWR: < 1.30:1
 ISOLATION: > 18dB
 AMPLITUDE BALANCE: ±1.1dB
 PHASE BALANCE: ±5°
 POWER: 225 WATT
 TEMPERATURE: -55°C TO 85°C

PORT CONFIGURATION				
INPUT	J1	J2	J3	J4
J1	---	ISOLATION	-3dB<0 DEG	-3dB<-90 DEG
J2	ISOLATION	---	-3dB<-90 DEG	-3dB<0 DEG
J3	-3dB<0 DEG	-3dB<-90 DEG	---	ISOLATION
J4	-3dB<-90 DEG	-3dB<0 DEG	ISOLATION	---

MATERIAL AL. ALLOY, 6061-T6	DWN S.Cornell	DATE 11-30-10				
	ENG DG	DATE 12-10				
FINISH CHEM FILM CLEAR PER MIL-DTL-5541, TYPE 2, REV F, CLASS 3 ROHS COMPLIANT	MANUF	DATE	TITLE OUTLINE, COUP., 90°, 1000 - 3000 MHz. 225W			
	CAGE CODE: 437R2		SCALE	SIZE	P/N	REV.
TOLERANCE IN [MM]	.xx ±.02 [.50] .xxx ±.005 [.127] ANG. ±1/2°	SHEET 1 OF 1	SCALE 4:1	SIZE B	P/N IPP-2252	REV. C