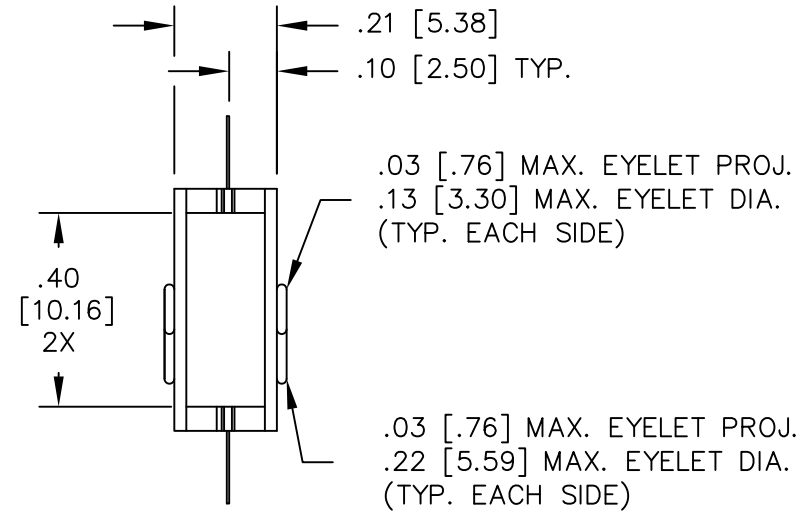
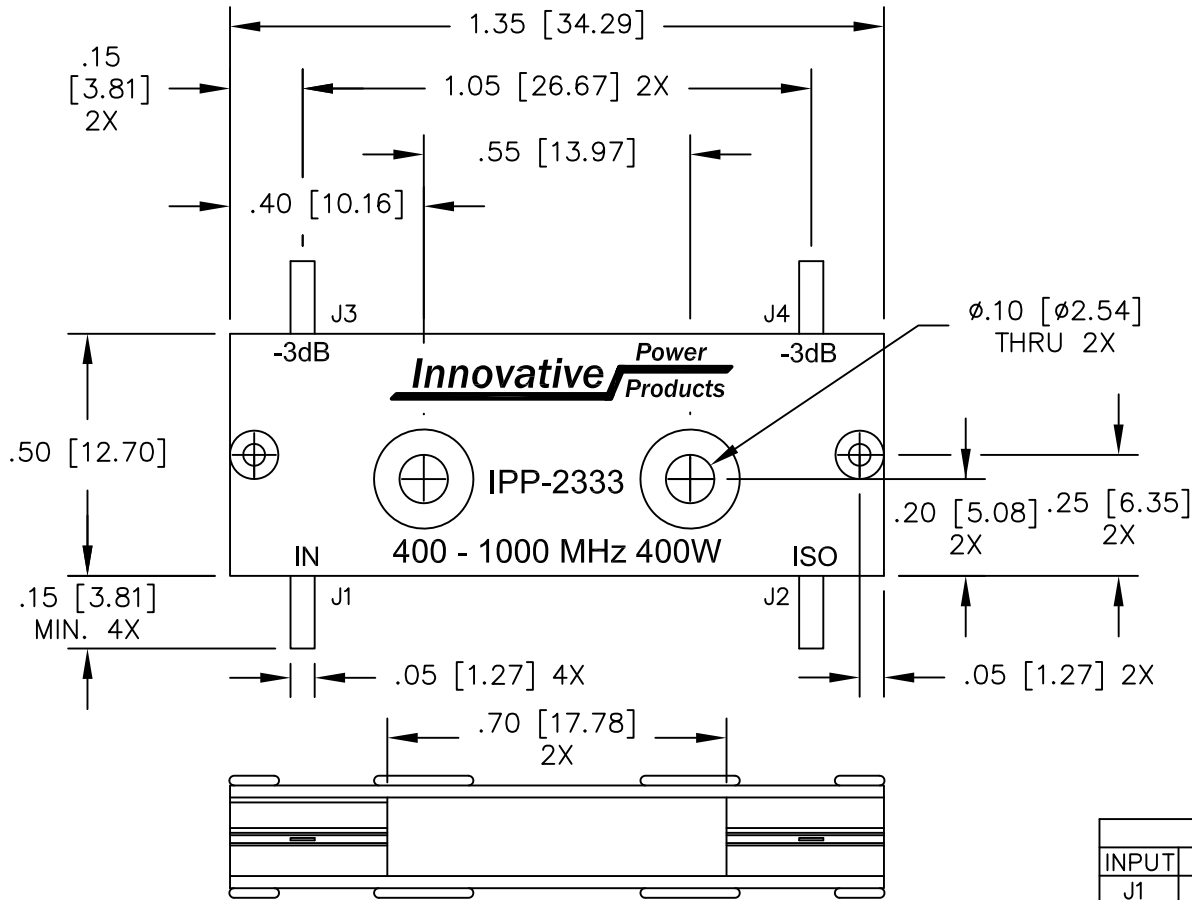


UNAUTHORIZED USE OF THIS
DRAWING IS STRICTLY PROHIBITED

DAR	REV	DESCRIPTION	APPVD	DATE
6135	B	SEE DAR	DG	4-16
6197	C	SEE DAR	DG	5-16
7317	D	SEE DAR	DG	9-18



NOTES:

- LEAD MATERIAL: 99.99% PURE SILVER
.005 [.127] THICK.
- LEAD FINISH: GOLD PLATE PER
MIL-G-45204, TYPE 3, GRADE A,
20 MICRO-INCHES MAX.
- SEE 90° APPLICATION NOTE FOR
FURTHER INFORMATION.
- RoHS COMPLIANT.
- DATA AND SPECIFICATIONS APPLY
WHEN PART IS MOUNTED IN IPP TEST
FIXTURE TF-1051. TEST FIXTURE
CONFIGURATION/FOOTPRINT AVAILABLE
ON REQUEST.

ELECTRICAL SPECIFICATIONS

FREQUENCY: 400 - 1000 MHz.
INSERTION LOSS: < 0.25 dB
VSWR: < 1.25:1
ISOLATION: > 18.5 dB
AMPLITUDE BALANCE: ±0.70 dB
PHASE BALANCE: ±5°
POWER: 400 WATT
TEMPERATURE: -55°C TO 85°C

PORT CONFIGURATION				
INPUT	J1	J2	J3	J4
J1	---	ISOLATION	-3dB<0 DEG	-3dB<-90 DEG
J2	ISOLATION	---	-3dB<-90 DEG	-3dB<0 DEG
J3	-3dB<0 DEG	-3dB<-90 DEG	---	ISOLATION
J4	-3dB<-90 DEG	-3dB<0 DEG	ISOLATION	---

MATERIAL AL. ALLOY, 6061-T6	DWN S.Cornell	DATE 11-30-15		
	ENG DG	DATE 12-15		
FINISH CHEM FILM CLEAR PER MIL-DTL-5541, TYPE 2, REV F, CLASS 3 ROHS COMPLIANT	MANUF	DATE	TITLE	
	CAGE CODE: 437R2		OUTLINE, COUP., 90°, 400 - 1000 MHz. 400W	
TOLERANCE	SHEET OF 1 1		SCALE	REV.
IN [MM]	.xx ±.02 [.50]	SCALE 4:1	SIZE B	P/N IPP-2333
	.xxx ±.005 [.127]			D
	ANG. ±1/2°			