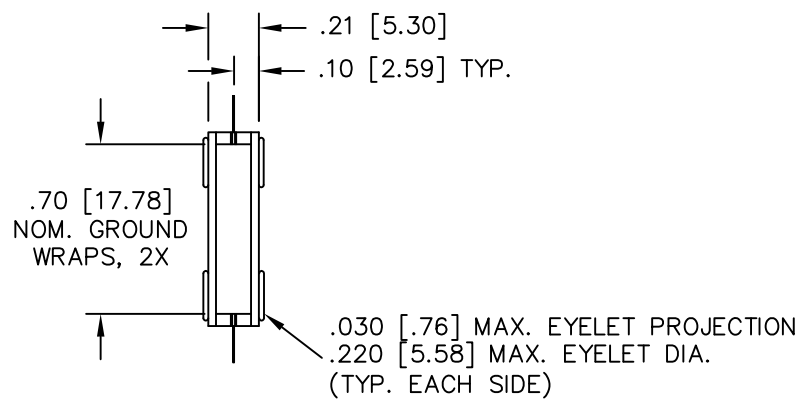
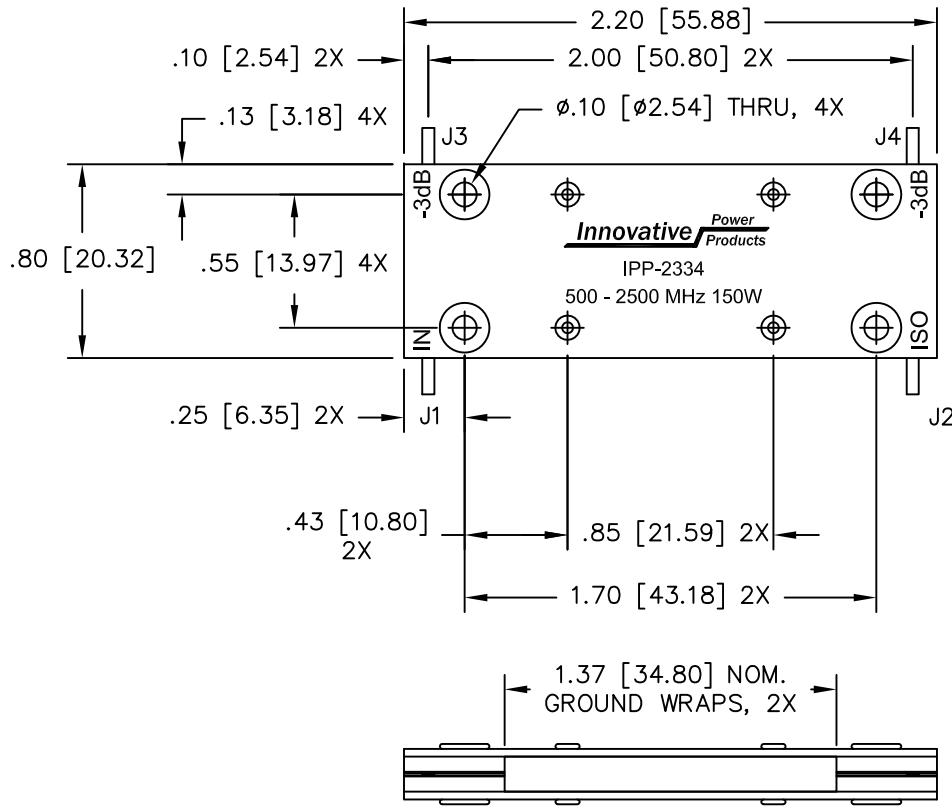


UNAUTHORIZED USE OF THIS
DRAWING IS STRICTLY PROHIBITED

DAR	REV	DESCRIPTION	APPVD	DATE
6164	B	SEE DAR	TJD	4-16
6259	C	SEE DAR	TJD	6-16
7326	D	SEE DAR	DG	10-18



- NOTES:**
1. LEAD MATERIAL: 99.99% PURE SILVER .005 [.127] THICK.
 2. LEAD FINISH: GOLD PLATE PER MIL-G-45204, TYPE 3, GRADE A, 20 MICRO-INCHES MAX.
 3. SEE 90° APPLICATION NOTE FOR FURTHER INFORMATION.
 4. RoHS COMPLIANT.
 5. DATA AND SPECIFICATIONS APPLY WHEN PART IS MOUNTED IN IPP TEST FIXTURE TF-1001. TEST FIXTURE CONFIGURATION/FOOTPRINT AVAILABLE ON REQUEST.

ELECTRICAL SPECIFICATIONS

FREQUENCY: 500 - 2500 MHz.
 INSERTION LOSS: < 0.50 dB
 VSWR: < 1.30:1
 ISOLATION: > 18 dB
 AMPLITUDE BALANCE: ±0.65 dB
 PHASE BALANCE: ±5°
 POWER: 150 WATT
 TEMPERATURE: -55°C TO 85°C

PORT CONFIGURATION				
INPUT	J1	J2	J3	J4
J1	---	ISOLATION	-3dB<0 DEG	-3dB<-90 DEG
J2	ISOLATION	---	-3dB<-90 DEG	-3dB<0 DEG
J3	-3dB<0 DEG	-3dB<-90 DEG	---	ISOLATION
J4	-3dB<-90 DEG	-3dB<0 DEG	ISOLATION	---

MATERIAL	DWN S.Cornell	DATE 10-14-15	Innovative Power Products	
AL. ALLOY, 6061-T6	ENG DG	DATE 12-15		
FINISH	MANUF	DATE	TITLE	
CHEM FILM CLEAR PER MIL-DTL-5541, TYPE 2, REV F, CLASS 3 ROHS COMPLIANT			OUTLINE, COUP., 90°, 500 - 2500 MHz. 150W	
TOLERANCE	CAGE CODE: 437R2		SIZE	P/N
.XX ±.02 [.50] .XXX ±.005 [.127] ANG. ±1/2°	SHEET 1	OF 1	SCALE 2:1	IPP-2334
				REV. D