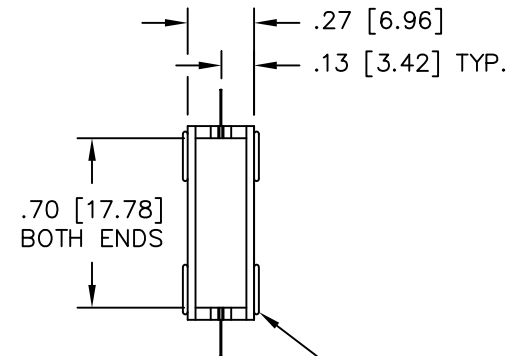
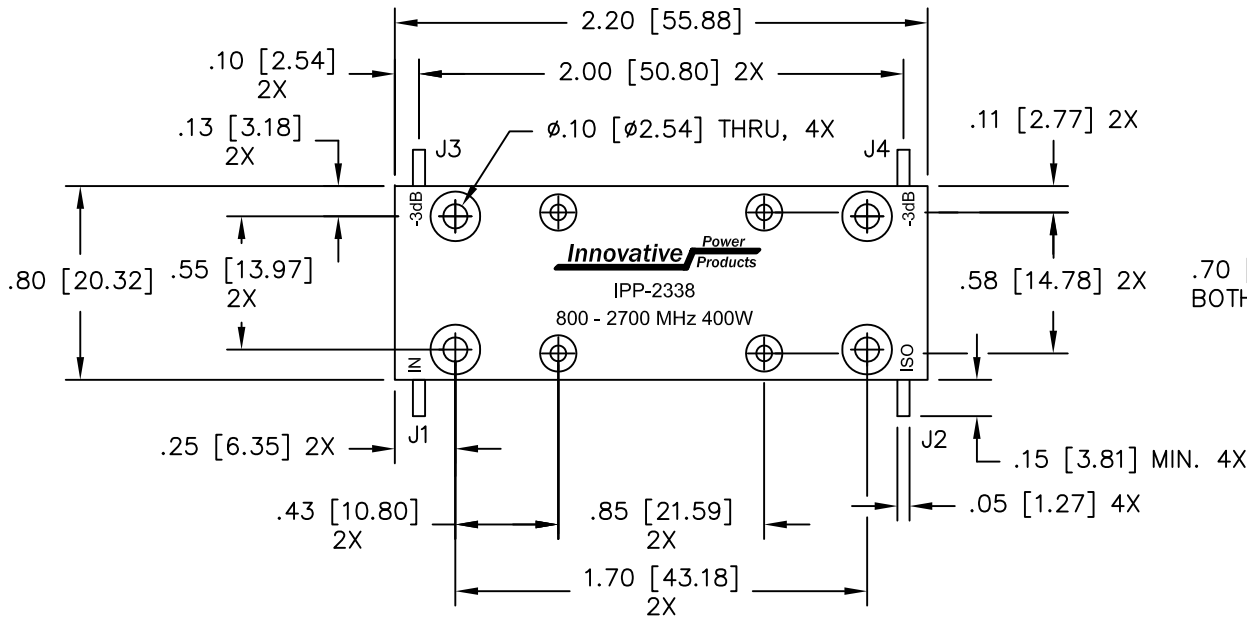
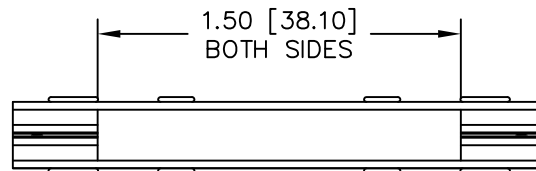


UNAUTHORIZED USE OF THIS
DRAWING IS STRICTLY PROHIBITED

DAR	REV	DESCRIPTION	APPVD	DATE
5984	A	INITIAL RELEASE	DG	2-16
7323	B	SEE DAR	DG	9-18



.03 [.76] MAX. EYELET PROJECTION
.22 [5.58] MAX. EYELET DIA.
(4X EACH SIDE, LARGE EYELETS)
.03 [.76] MAX. EYELET PROJECTION
.13 [3.05] MAX. EYELET DIA.
(4X EACH SIDE, SMALL EYELETS)



PORT CONFIGURATION				
INPUT	J1	J2	J3	J4
J1	---	ISOLATION	-3dB<0 DEG	-3dB<-90 DEG
J2	ISOLATION	---	-3dB<-90 DEG	-3dB<0 DEG
J3	-3dB<0 DEG	-3dB<-90 DEG	---	ISOLATION
J4	-3dB<-90 DEG	-3dB<0 DEG	ISOLATION	---

NOTES:

- LEAD MATERIAL: 99.99% PURE SILVER
.005 [.127] THICK.
- LEAD FINISH: GOLD PLATE PER
MIL-G-45204, TYPE 3, GRADE A,
20 MICRO-INCHES MAX.
- SEE 90° APPLICATION NOTE FOR
FURTHER INFORMATION.
- RoHS COMPLIANT.
- DATA AND SPECIFICATIONS APPLY
WHEN PART IS MOUNTED IN IPP TEST
FIXTURE TF-1029. TEST FIXTURE
CONFIGURATION/FOOTPRINT AVAILABLE
ON REQUEST.

ELECTRICAL SPECIFICATIONS

FREQUENCY: 800 - 2700 MHz.
INSERTION LOSS: < 0.45 dB
VSWR: < 1.35:1
ISOLATION: > 17 dB
AMPLITUDE BALANCE: ±0.60 dB
PHASE BALANCE: ±6°
POWER: 400 WATT
TEMPERATURE: -55°C TO 85°C

MATERIAL AL. ALLOY, 6061-T6	DWN S.Cornell	DATE 2-1-16		
	ENG DG	DATE 2-16		
FINISH CHEM FILM CLEAR PER MIL-DTL-5541, TYPE 2, REV F, CLASS 3, ROHS COMPLIANT	MANUF	DATE	TITLE OUTLINE, COUP., 90°, 800 - 2700 MHz. 400W	
	CAGE CODE: 437R2		SIZE B	P/N IPP-2338
TOLERANCE .XX ±.02 [.50] .XXX ±.005 [.127] ANG. ±1/2°	SHEET 1	OF 1	SCALE 2:1	