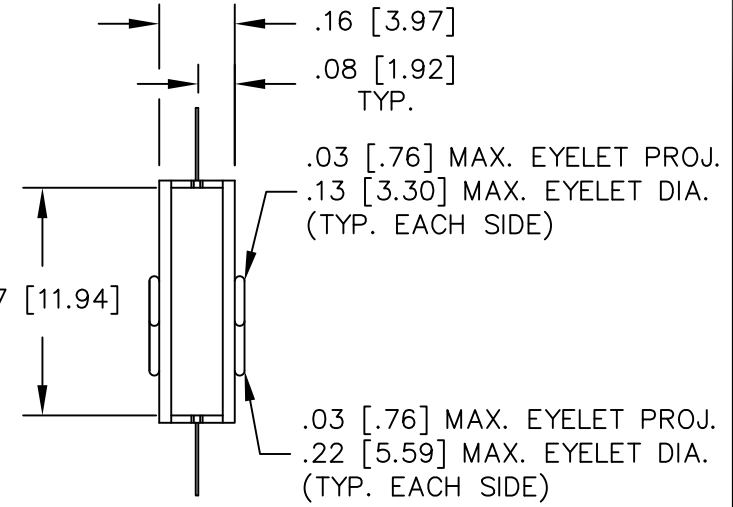
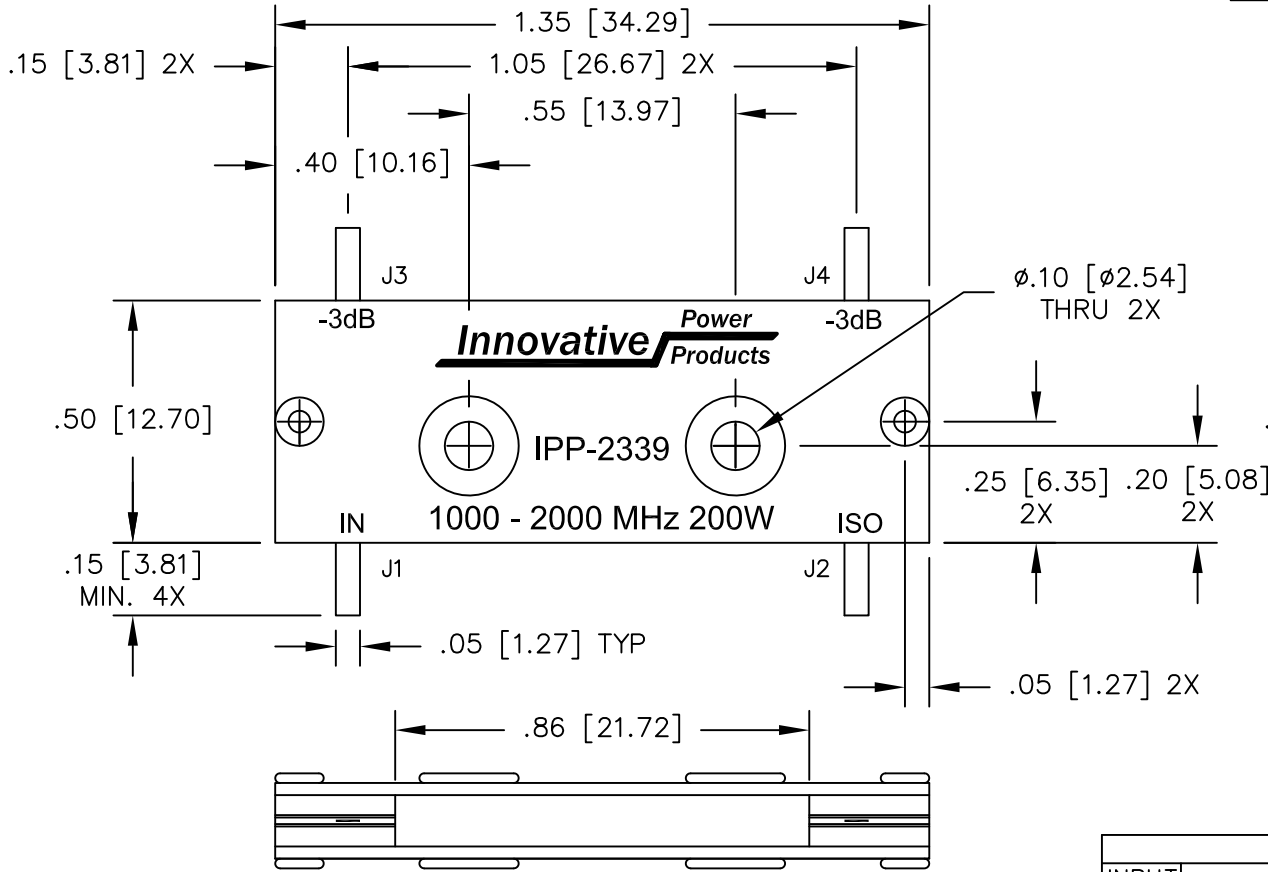


UNAUTHORIZED USE OF THIS
DRAWING IS STRICTLY PROHIBITED

DAR	REV	DESCRIPTION	APPVD	DATE
5914	A	INITIAL RELEASE	DG	2-16
7317	B	SEE DAR	DG	9-18



- NOTES:**
- LEAD MATERIAL: 99.99% PURE SILVER .005 [.127] THICK.
 - LEAD FINISH: GOLD PLATE PER MIL-G-45204, TYPE 3, GRADE A, 20 MICRO-INCHES MAX.
 - SEE 90° APPLICATION NOTE FOR FURTHER INFORMATION.
 - RoHS COMPLIANT.
 - DATA AND SPECIFICATIONS APPLY WHEN PART IS MOUNTED IN IPP TEST FIXTURE TF-1078. TEST FIXTURE CONFIGURATION/FOOTPRINT AVAILABLE ON REQUEST.

ELECTRICAL SPECIFICATIONS

FREQUENCY:	1000 - 2000 MHz.
INSERTION LOSS:	< 0.25 dB
VSWR:	< 1.25:1
ISOLATION:	> 20 dB
AMPLITUDE BALANCE:	±0.50 dB
PHASE BALANCE:	±5°
POWER:	200 WATT
TEMPERATURE:	-55°C TO 85°C

PORT CONFIGURATION				
INPUT	J1	J2	J3	J4
J1	---	ISOLATION	-3dB<0 DEG	-3dB<-90 DEG
J2	ISOLATION	---	-3dB<-90 DEG	-3dB<0 DEG
J3	-3dB<0 DEG	-3dB<-90 DEG	---	ISOLATION
J4	-3dB<-90 DEG	-3dB<0 DEG	ISOLATION	---

MATERIAL AL. ALLOY, 6061-T6	DWN S.Cornell	DATE 1-7-16	Innovative Power Products		
	ENG DG	DATE 2-16			
FINISH CHEM FILM CLEAR PER MIL-DTL-5541, TYPE 2, REV F, CLASS 3 ROHS COMPLIANT	MANUF	DATE	TITLE OUTLINE, COUP., 90°, 1000 - 2000 MHz. 200W		
	CAGE CODE: 437R2		SIZE B	P/N IPP-2339	REV. B
TOLERANCE IN [MM]	.XX ±.02 [.50] .XXX ±.005 [.127] ANG. ±1/2°	SHEET OF 1 1	SCALE 4:1		