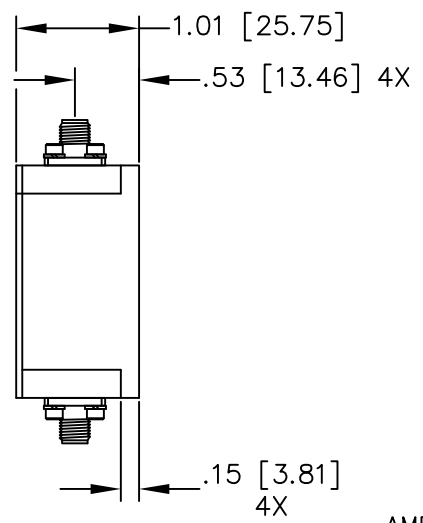
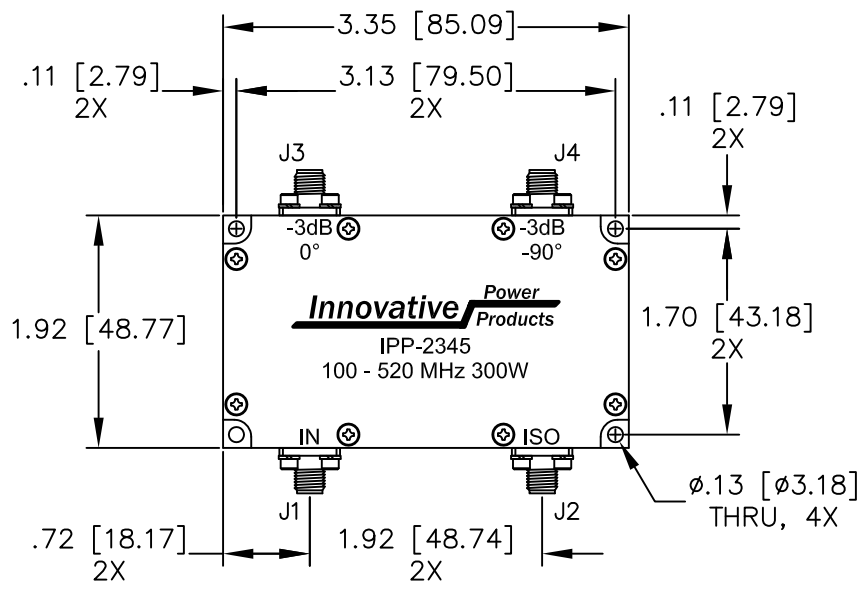


UNAUTHORIZED USE OF THIS  
DRAWING IS STRICTLY PROHIBITED

DAR	REV	DESCRIPTION	APPVD	DATE
6435	A	INITIAL RELEASE	DG	10-16



**NOTES**

- CONNECTORS: TYPE "SMA" FEMALE.
- SEE 90° APPLICATION NOTE FOR FURTHER INFORMATION.
- RoHS COMPLIANT.

**ELECTRICAL SPECIFICATIONS**

FREQUENCY:	100 - 520 MHz.
INSERTION LOSS:	< 0.70 dB
VSWR:	< 1.30:1
ISOLATION:	> 17 dB
AMPLITUDE BALANCE:	±0.65 dB
PHASE BALANCE:	±6°
POWER:	300 WATT
TEMPERATURE:	-55°C TO 85°C

PORT CONFIGURATION				
INPUT	J1	J2	J3	J4
J1	---	ISOLATION	-3dB<0 DEG	-3dB<-90 DEG
J2	ISOLATION	---	-3dB<-90 DEG	-3dB<0 DEG
J3	-3dB<0 DEG	-3dB<-90 DEG	---	ISOLATION
J4	-3dB<-90 DEG	-3dB<0 DEG	ISOLATION	---

MATERIAL AL. ALLOY, 6061-T651	DWN S.Cornell	DATE 9-12-16			
	ENG DG	DATE 9-16			
FINISH CHEM FILM, CLEAR, PER MIL-DTL-5541, TYPE 2, REV. F, CLASS 3 (ROHS COMPLIANT)	MANUF	DATE	TITLE OUTLINE, COUP., 90°, 100 - 520 MHz. 300W		
	CAGE CODE: 437R2		SIZE B	P/N	IPP-2345
TOLERANCE IN [MM]	.XX ±.02 [.50] .XXX ±.005 [.127] ANG. ±1/2°	SHEET 1 OF 1	SCALE 1:1		