

CH1 S₁₁ log MAG 10 dB/ REF 0 dB 1: -26.588 dB

IPP-3008 VSWR

700.000 000 MHz

Cor

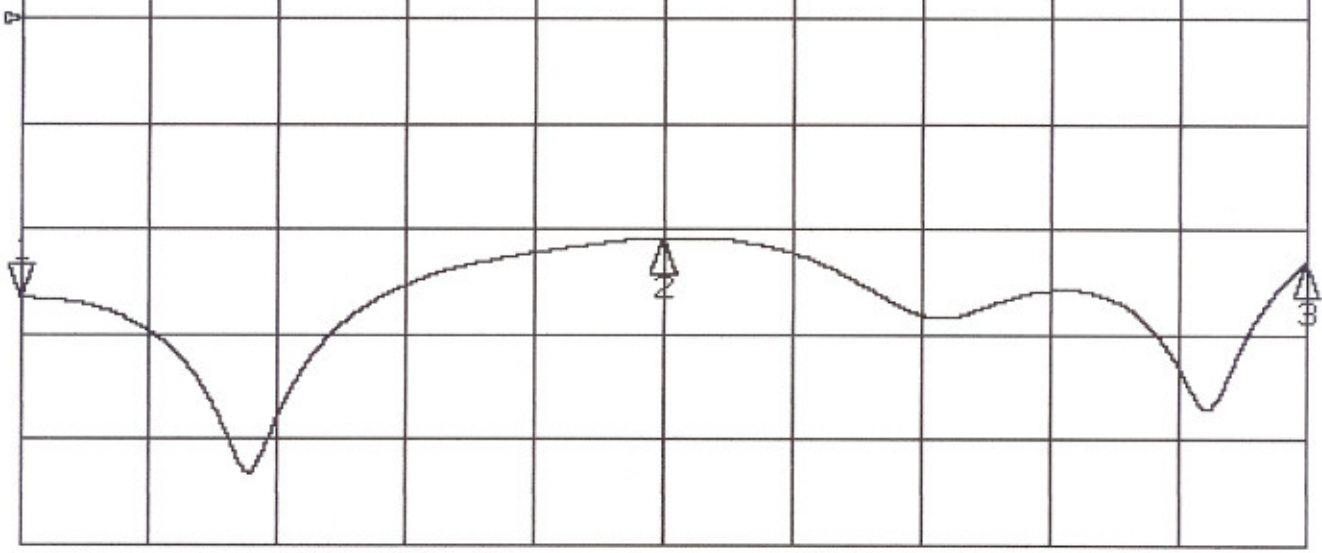
SCALE

2: -20.64 dB
2.45 GHz

10 dB/div

3: -23.07 dB
4.2 GHz

↑



START 700.000 000 MHz STOP 4 200.000 000 MHz

CH2 S21 log MAG 1 dB/ REF -20 dB 1: -21.038 dB

IPP-3008 Coupling

700.000 000 MHz

2: -20.168 dB
2.45 GHz

SCALE

3: -21.251 dB
4.2 GHz

1 dB/div

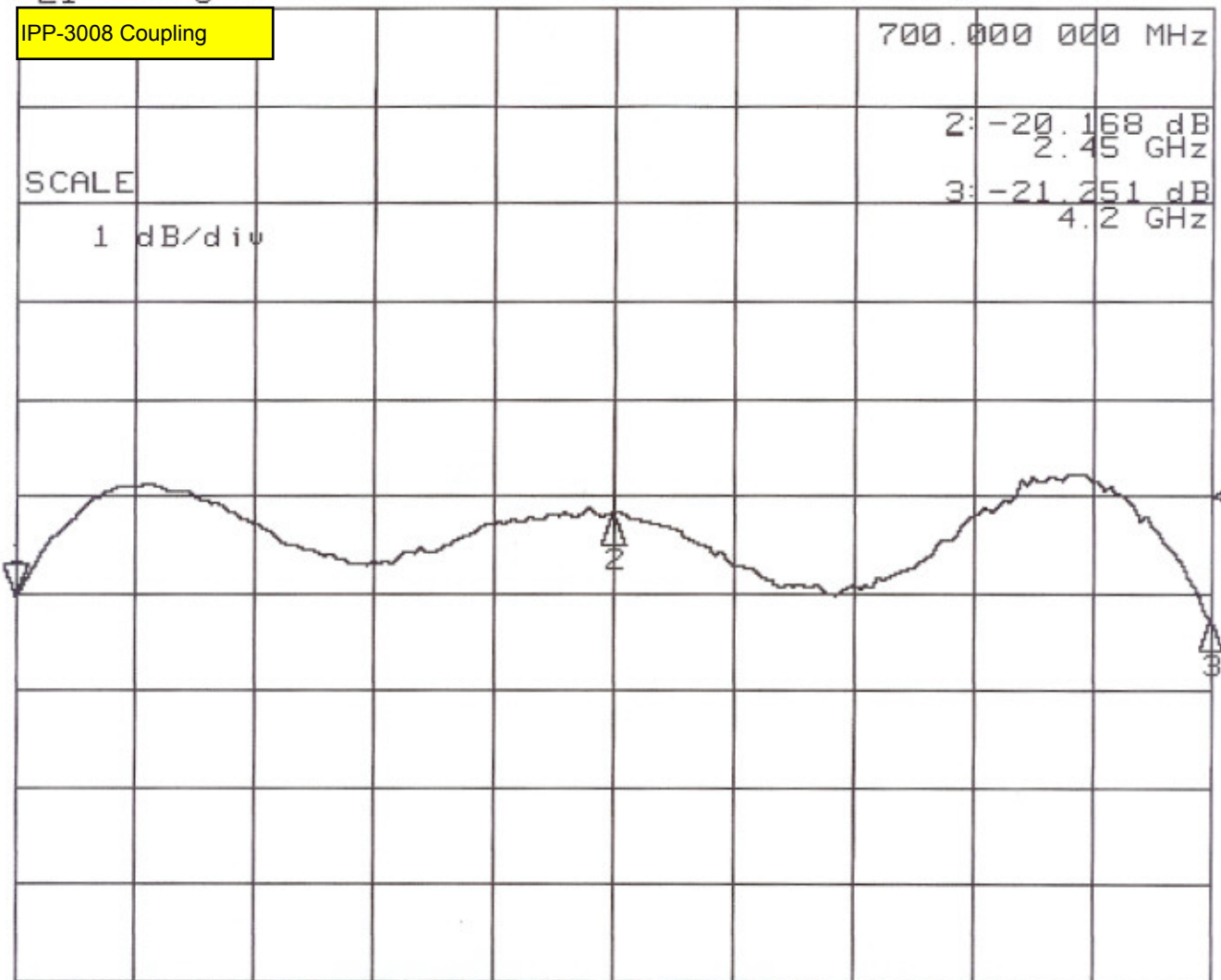
Cor

↑

x2

START 700.000 000 MHz

STOP 4 200.000 000 MHz



CH2 S₂₁&M log MAG .35 dB/ REF 0 dB 1: -.0932 dB

IPP-3008 Insertion Loss

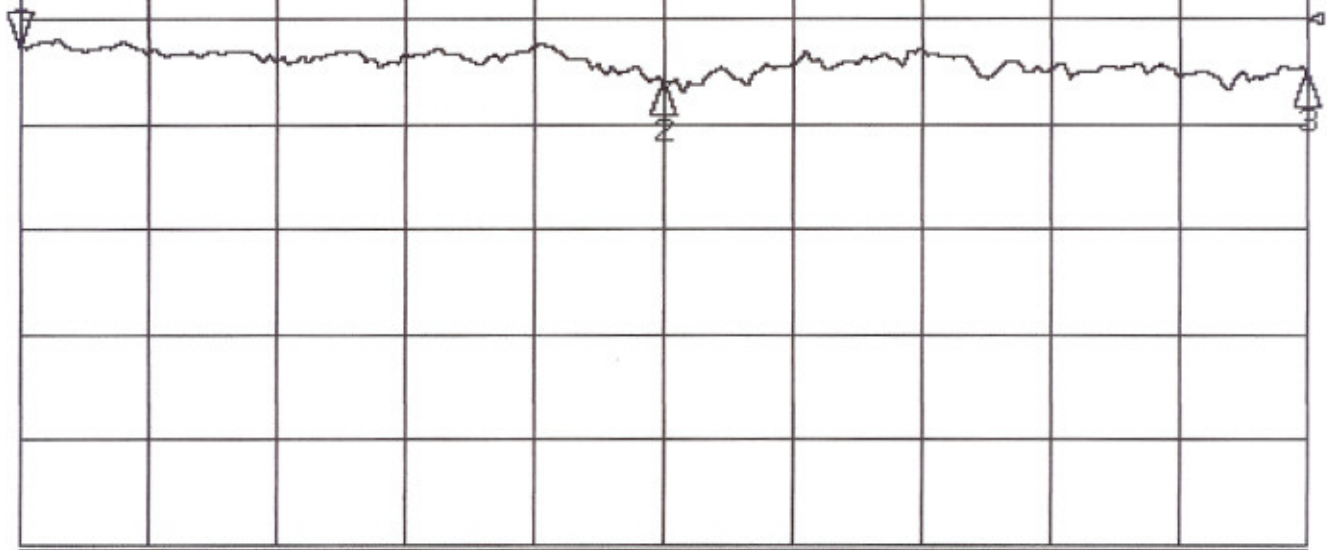
700.000 000 MHz

2: -.2035 dB
2.45 GHz

SCALE

3: -.1706 dB
4.2 GHz

.35 dB/div



Cor

Aug
16

↑

x2

START 700.000 000 MHz

STOP 4 200.000 000 MHz

CH2 S21 log MAG 10 dB/ REF -20 dB 1: -46.678 dB

IPP-3008 Isolation

700.000 000 MHz

SCALE

10 dB/div

2: -44.545 dB
2.45 GHz

3: -47.411 dB
4.2 GHz

Cor

↑

x2

START 700.000 000 MHz STOP 4 200.000 000 MHz

