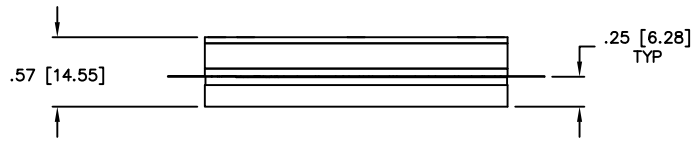
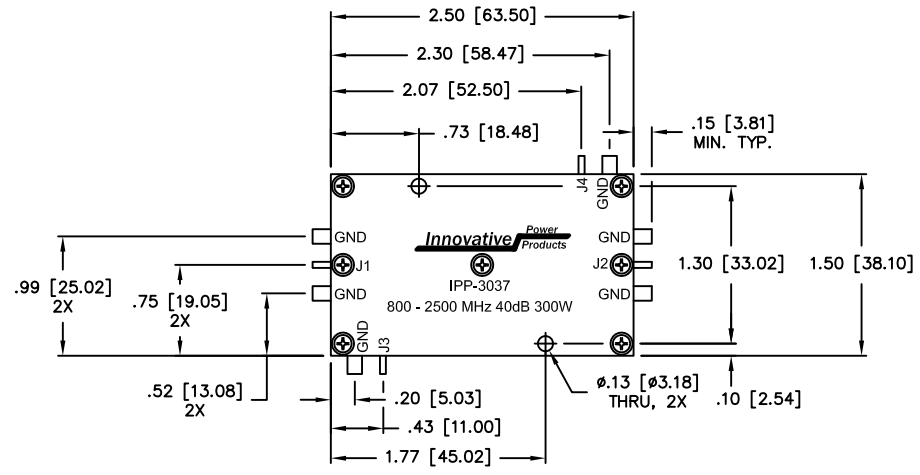


UNAUTHORIZED USE OF THIS  
DRAWING IS STRICTLY PROHIBITED

DAR	REV	DESCRIPTION	APPVD	DATE
1453	A	INITIAL RELEASE	DG	6-08
1803	B	SEE DAR	DG	4-09
4465	C	SEE DAR	DG	7-13



J1: INPUT  
J2: OUTPUT  
J3: -40dB (FWD COUPLED)  
J4: -40dB (REFL. COUPLED)

**NOTES**

- J1 - J4: 0.050 X 0.005 SILVER TABS  
GND: 0.120 X 0.005 SILVER TABS

**ELECTRICAL SPECIFICATIONS**

- FREQUENCY: 800 - 2500 MHz.  
INSERTION LOSS: <0.25dB  
MAIN LINE VSWR: <1.25:1  
COUPLING: 40.0 ±1.0dB  
DIRECTIVITY: > 18dB  
COUPLED FLATNESS: ±0.50dB  
POWER: 300 WATT  
TEMPERATURE: -55°C TO 85°C

MATERIAL	AL. ALLOY	DWN	DG	DATE	12-07	<b>Innovative</b> <i>Power</i> <b>Products</b>
	6061-T651	ENG	TJD	DATE	12-07	
FINISH	CHEM FILM CLEAR	MANUF	TP	DATE	12-07	TITLE DUAL DIRECTIONAL COUPLER 800 - 2500 MHz. 300 WATT, 40 dB
	PER MIL-DTL-5541, TYPE 2, REV F, CLASS 3 ROHS COMPLIANT	CAGE CODE: 437R2				
TOLERANCE	.XX ±.02	SHEET OF	1 1	SCALE	1:1	P/N IPP-3037
	.XXX ±.010					
	ANG. ±1/2°					REV. C