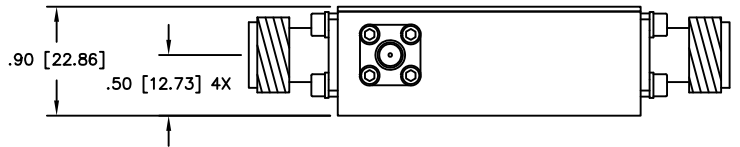
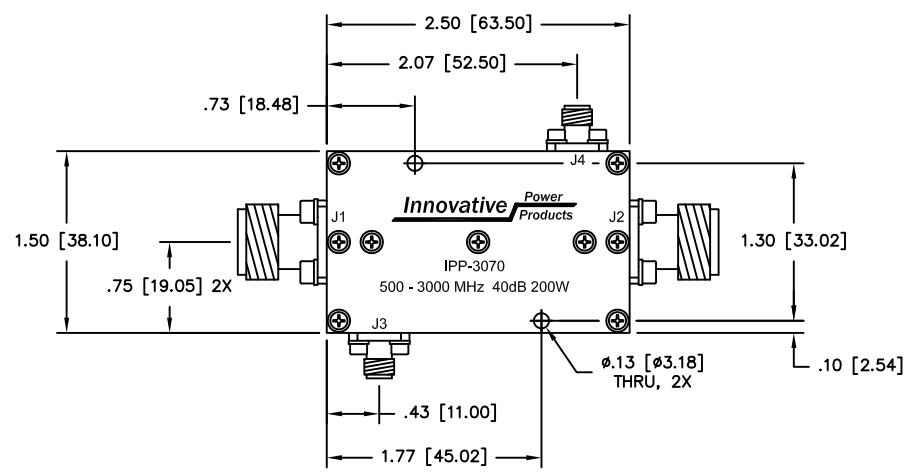


UNAUTHORIZED USE OF THIS
DRAWING IS STRICTLY PROHIBITED

DAR	REV	DESCRIPTION	APPVD	DATE
1652	A	INITIAL RELEASE	DG	12-08
4225	B	SEE DAR	DG	3-13
4491	C	SEE DAR	DG	8-13



J1: INPUT
 J2: OUTPUT
 J3: -40dB (FWD COUPLED)
 J4: -40dB (REFL. COUPLED)

NOTES

- CONNECTOR TYPE J1 - J2: TYPE "N" FEMALE
 J3 - J4: TYPE "SMA" FEMALE
- RoHS COMPLIANT.

ELECTRICAL SPECIFICATIONS

FREQUENCY:	500 - 3000 MHz.
INSERTION LOSS:	<0.35dB
MAIN LINE VSWR:	<1.25:1
COUPLING:	40.0 ±1.0dB
DIRECTIVITY:	>18dB
COUPLED FLATNESS:	±0.50dB
POWER:	200 WATT

MATERIAL AL. ALLOY 6061-T651	DWN DG	DATE 9-26-08			
	ENG TJD	DATE 9-26-08			
FINISH CHEM FILM CLEAR PER MIL-DTL-5541, TYPE 2, REV F, CLASS 3 ROHS COMPLIANT	MANUF TP	DATE 9-26-08	TITLE DUAL DIRECTIONAL COUPLER 500 - 3000 MHz, 200 WATT, 40 dB		
	CAGE CODE: 437R2				
TOLERANCE .XX ±.02 .XXX ±.005 ANG. ±1/2°	SHEET OF 1 1	SCALE 1:1	SIZE B	P/N IPP-3070	REV. C