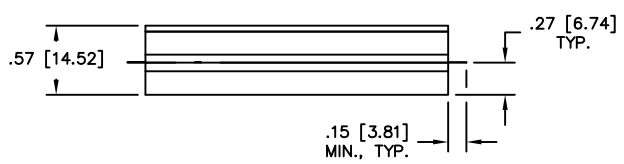
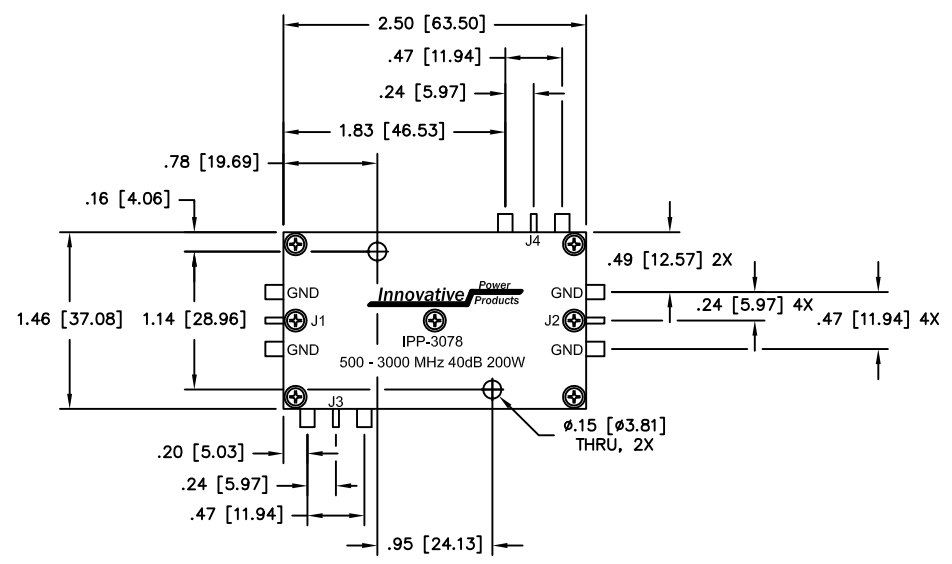


UNAUTHORIZED USE OF THIS
DRAWING IS STRICTLY PROHIBITED

DAR	REV	DESCRIPTION	APPVD	DATE
1695	A	INITIAL RELEASE	DG	1-09
1928	B	SEE DAR	DG	6-09
4465	C	SEE DAR	DG	7-13



J1: INPUT
J2: OUTPUT
J3: -40dB (FWD COUPLED)
J4: -40dB (REFL. COUPLED)

NOTES

- J1 - J4: 0.050 X 0.005 SILVER TABS
GND: 0.120 X 0.005 SILVER TABS

ELECTRICAL SPECIFICATIONS

FREQUENCY: 500 - 3000 MHz.
INSERTION LOSS: <0.35dB
MAIN LINE VSWR: <1.25:1
COUPLING: 40.00 ±1.0dB
DIRECTIVITY: > 16dB
COUPLED FLATNESS: ±0.75dB
POWER: 200 WATT
TEMPERATURE: -55°C TO 80°C

MATERIAL AL. ALLOY 6061-T651	DWN DG	DATE 12-10-08				
	ENG TJD	DATE 12-10-08				
FINISH CHEM FILM CLEAR PER MIL-DTL-5541, TYPE 2, REV F, CLASS 3, ROHS COMPLIANT	MANUF RR	DATE 12-10-08	TITLE DUAL DIRECTIONAL COUPLER 500 - 3000 MHz. 200 WATT, 40 dB			
	CAGE CODE: 437R2					
TOLERANCE .XX ±.02 .XXX ±.010 ANG. ±1/2°	SHEET 1	OF 1	SCALE 1:1	SIZE B	P/N IPP-3078	REV. C