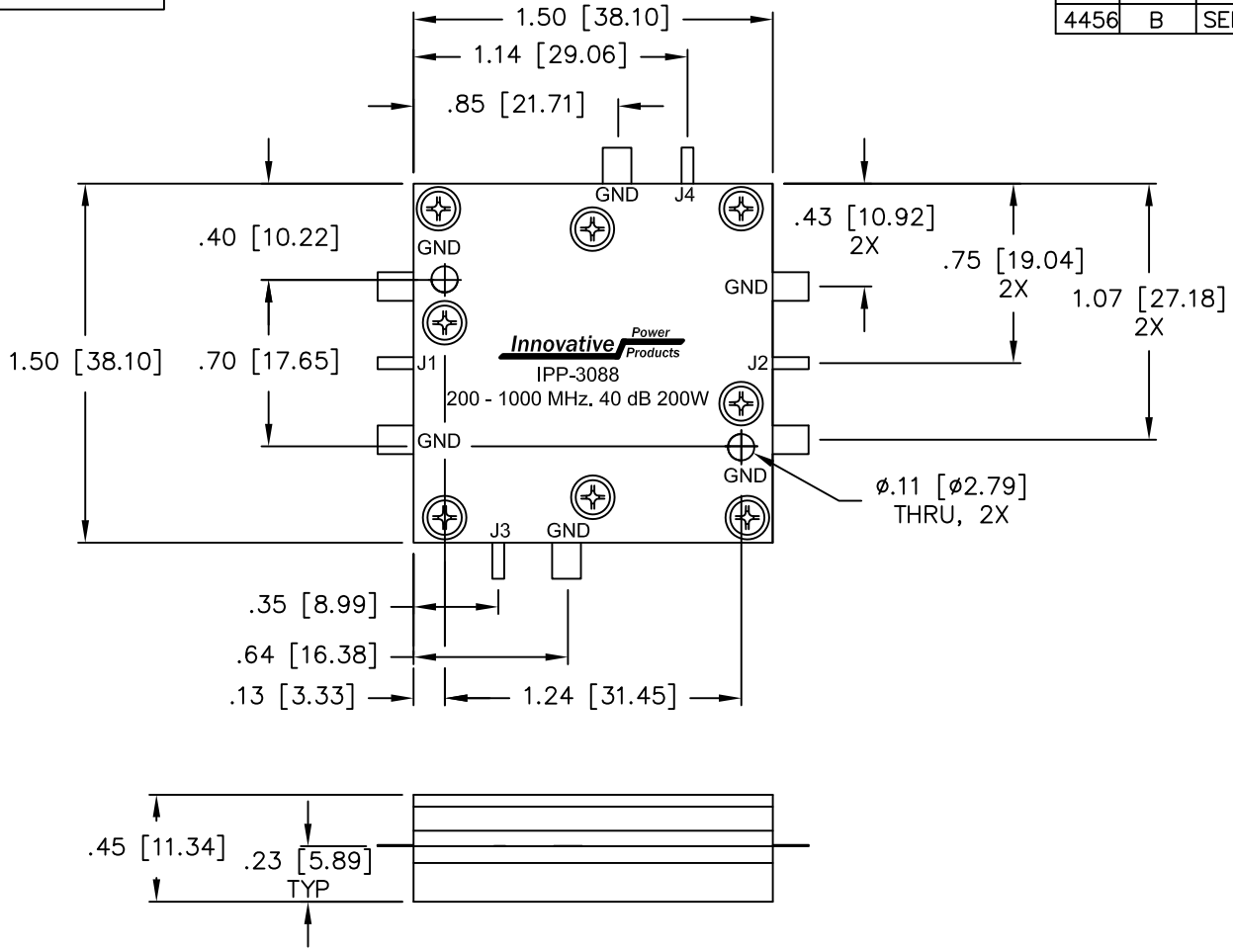


UNAUTHORIZED USE OF THIS
DRAWING IS STRICTLY PROHIBITED

DAR	REV	DESCRIPTION	APPVD	DATE
1808	A	INITIAL RELEASE	DG	4-09
4456	B	SEE DAR	DG	7-13



NOTES

- J1, J2: 0.050 X 0.005 SILVER TABS
J3, J4: 0.050 X 0.005 SILVER TABS
GND: 0.120 X 0.005 SILVER TABS
ALL TABS 0.15 MIN. LONG.

ELECTRICAL SPECIFICATIONS

- FREQUENCY: 200 – 1000 MHz.
- INSERTION LOSS: <0.25 dB
- MAIN LINE VSWR: <1.25:1
- COUPLING: 40.0 dB ±1.5 dB
- COUPLED FLATNESS: <0.50 dB
- DIRECTIVITY: >20 dB
- POWER: 200 WATT
- TEMPERATURE: -55°C TO 85°C

J1: INPUT
J2: OUTPUT
J3: -40dB (FWD COUPLED)
J4: -40dB (REFL. COUPLED)

MATERIAL AL. ALLOY 6061-T651	DWN S.Cornell	DATE 3-12-09		
	ENG TJD	DATE 3-12-09		
FINISH CHEM FILM CLEAR PER MIL-DTL-5541, TYPE 2, REV F, CLASS 3 ROHS COMPLIANT	MANUF RR	DATE 3-12-09	TITLE DUAL DIRECTIONAL COUPLER 200 - 1000 MHz, 200 WATT, 40 dB	
	CAGE CODE: 437R2		SIZE B	P/N IPP-3088
TOLERANCE .xxx ±.005 [.127] IN [MM] .xx ±.02 [.50] ANG. ±1/2°	SHEET OF 1 1	SCALE 2:1		