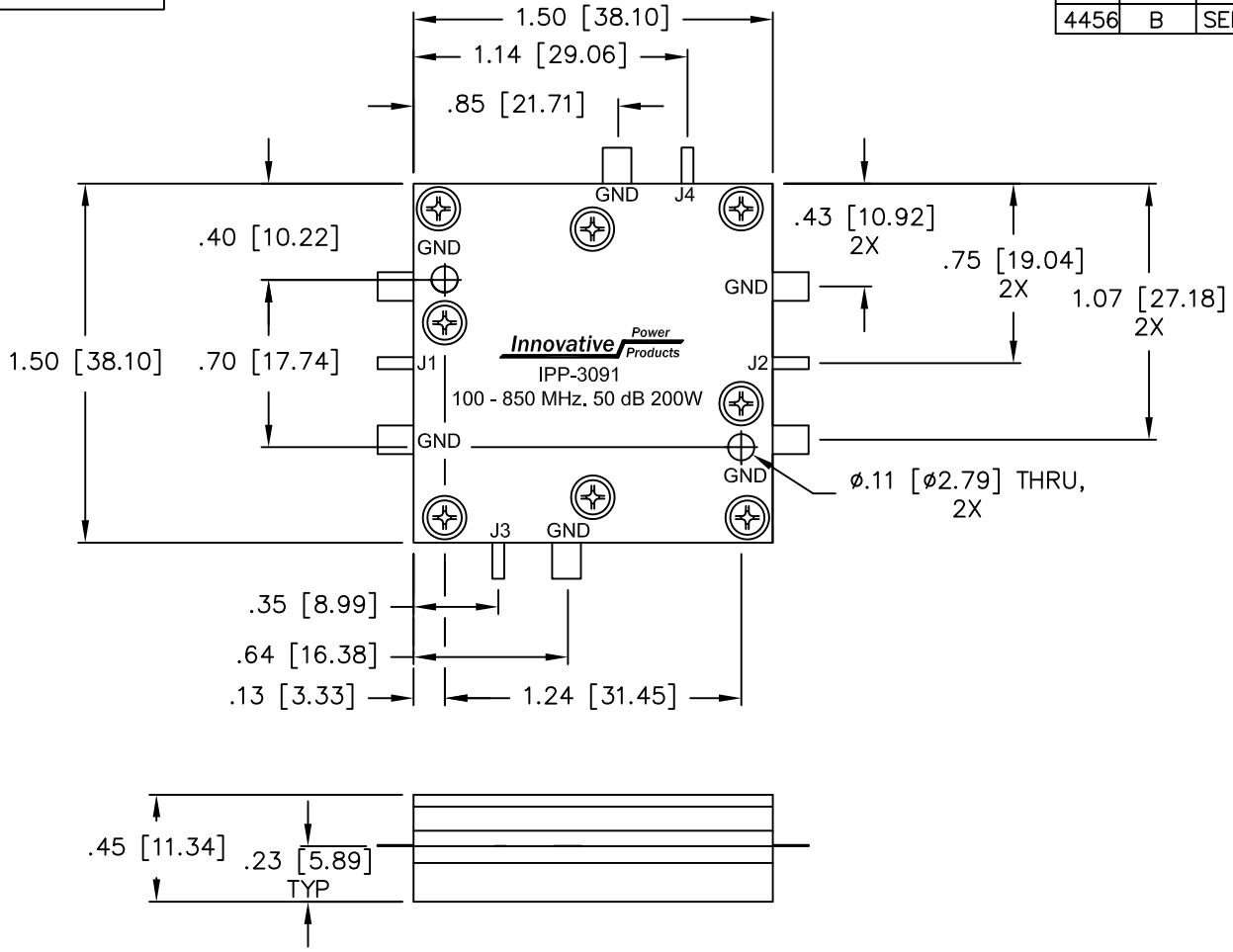


UNAUTHORIZED USE OF THIS
DRAWING IS STRICTLY PROHIBITED

DAR	REV	DESCRIPTION	APPVD	DATE
1875	A	INITIAL RELEASE	DG	5-09
4456	B	SEE DAR	DG	7-13



J1: INPUT
J2: OUTPUT
J3: -50dB (FWD COUPLED)
J4: -50dB (REFL. COUPLED)

NOTES

- J1, J2: 0.050 X 0.005 SILVER TABS
J3, J4: 0.050 X 0.005 SILVER TABS
GND: 0.120 X 0.005 SILVER TABS
ALL TABS 0.15 MIN. LONG.

ELECTRICAL SPECIFICATIONS

FREQUENCY: 100 - 850 MHz.
INSERTION LOSS: <0.25 dB
MAIN LINE VSWR: <1.25:1
COUPLING: 50.0 dB ±1.5 dB
COUPLED FLATNESS: ±0.50 dB
DIRECTIVITY: >20 dB
POWER: 200 WATT
TEMPERATURE: -55°C TO 85°C

MATERIAL AL. ALLOY 6061-T651	DWN DG	DATE 5-09	Innovative Power Products	
	ENG TJD	DATE 5-09		
FINISH CHEM FILM CLEAR PER MIL-DTL-5541, TYPE 2, REV F, CLASS 3 ROHS COMPLIANT	MANUF RR	DATE 5-09	TITLE DUAL DIRECTIONAL COUPLER 100 - 850 MHz, 200 WATT, 50 dB	
	CAGE CODE: 437R2		SIZE B	P/N IPP-3091
TOLERANCE .xxx ±.005 [.127] IN [MM] .xx ±.02 [.50] ANG. ±1/2°	SHEET OF 1 1	SCALE 2:1		