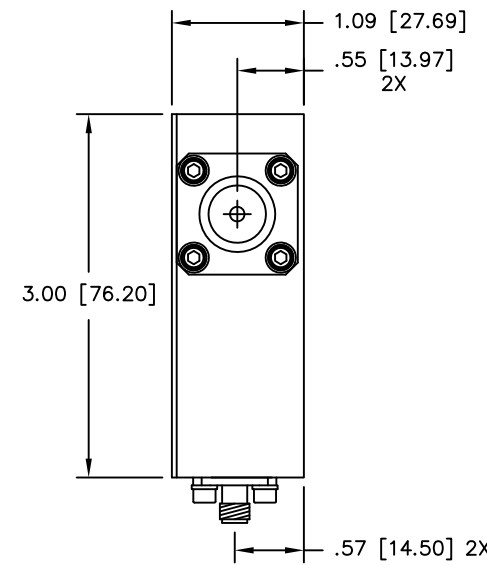
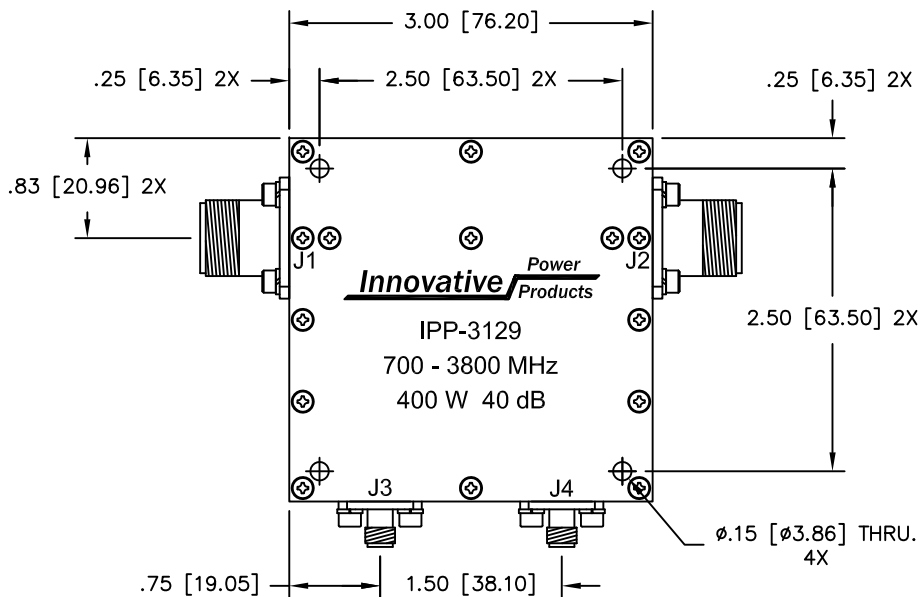


UNAUTHORIZED USE OF THIS
DRAWING IS STRICTLY PROHIBITED

DAR	REV	DESCRIPTION	APPVD	DATE
2725	A	INITIAL RELEASE	TJD	10-10
4491	B	SEE DAR	DG	8-13



NOTES

- CONNECTOR J1 & J2:
TYPE N-F
- CONNECTOR J3 & J4:
TYPE SMA

ELECTRICAL SPECIFICATIONS

- FREQUENCY: 700 - 3800 MHz.
- INSERTION LOSS: <0.30dB
- MAIN LINE VSWR: <1.30:1
- COUPLING: 40.0 ±1.0dB
- DIRECTIVITY: >20dB
- COUPLED FLATNESS: ±0.50dB
- POWER: 400 WATT

INPUT	OUTPUT	FORWARD COUPLING	REFLECTED COUPLING
J1	J2	J3	J4
J2	J1	J4	J3

MATERIAL	AL. ALLOY	DWN	DG	DATE	10-10	Innovative Power Products		
	6061-T651	ENG	TJD	DATE	10-10			
FINISH	CHEM FILM CLEAR, PER MIL-DTL-5541, TYPE 2, REV. F, CLASS 3 (ROHS COMPLIANT)	MANUF	DATE		TITLE			
		CAGE CODE: 437R2				OUTLINE, DUAL DIRECTIONAL COUPLER, 700 - 3800 MHz, 40dB, 400W		
TOLERANCE	.XXX ±.005	SHEET	OF	SCALE	1:1	SIZE	P/N	REV.
	IN [MM]					.XX ±.02		
	ANG. ±1/2°	1	1					