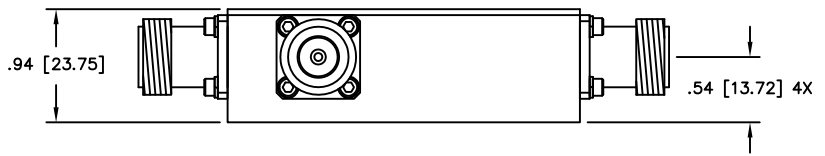
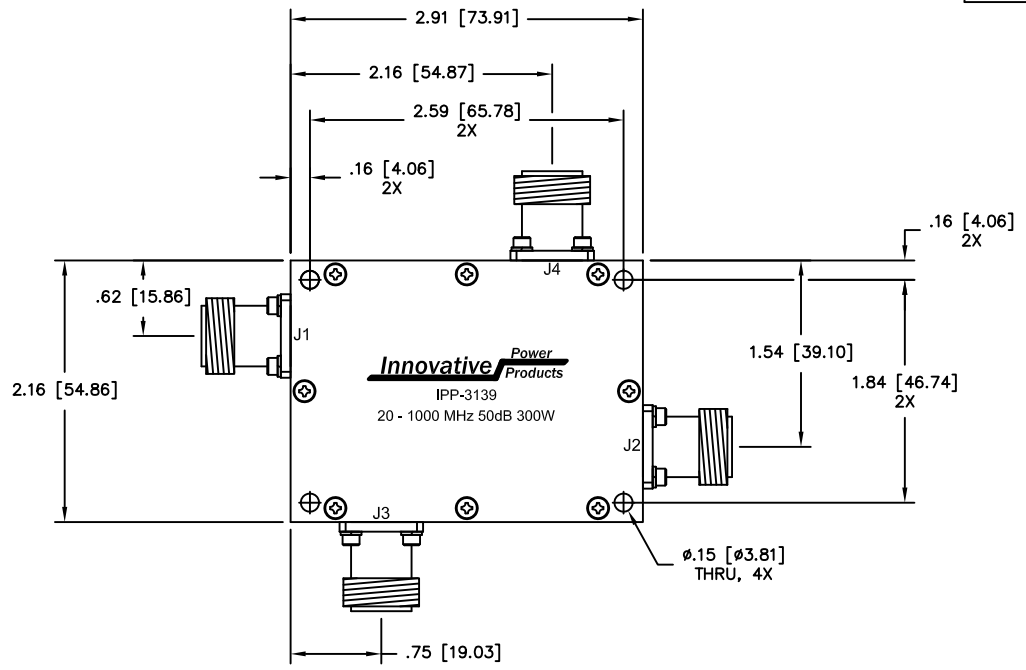


UNAUTHORIZED USE OF THIS  
DRAWING IS STRICTLY PROHIBITED

DAR	REV	DESCRIPTION	APPVD	DATE
2806	A	INITIAL RELEASE	TJD	11-10
4483	B	SEE DAR	DG	8-13



INPUT	OUTPUT	FORWARD COUPLING	REFLECTED COUPLING
J1	J2	J3	J4
J2	J1	J4	J3

**NOTES**

- CONNECTOR TYPE J1 - J4: TYPE N(F)

**ELECTRICAL SPECIFICATIONS**

- FREQUENCY: 20 - 1000 MHz.
- INSERTION LOSS: <0.35
- MAIN LINE VSWR: <1.25:1
- COUPLING: 50.0 ±1.5dB
- DIRECTIVITY: >20dB
- COUPLED FLATNESS: ±0.6dB
- POWER: 300 WATT
- TEMPERATURE: -55°C TO 85°C

MATERIAL AL. ALLOY 6061-T651	DWN DG	DATE 11-10			
	ENG TJD	DATE 11-10			
FINISH CHEM FILM CLEAR PER MIL-DTL-5541, TYPE 2, REV F CLASS 3 ROHS COMPLIANT	MANUF	DATE	<b>TITLE</b> DUAL DIRECTIONAL COUPLER 20 - 1000 MHz. 300 WATT, 50 dB		
	CAGE CODE: 437R2				
TOLERANCE .XX ±.02 .XXX ±.010 ANG. ±1/2°	SHEET OF 1 1	SCALE 1:1	SIZE B	P/N IPP-3139	REV. B