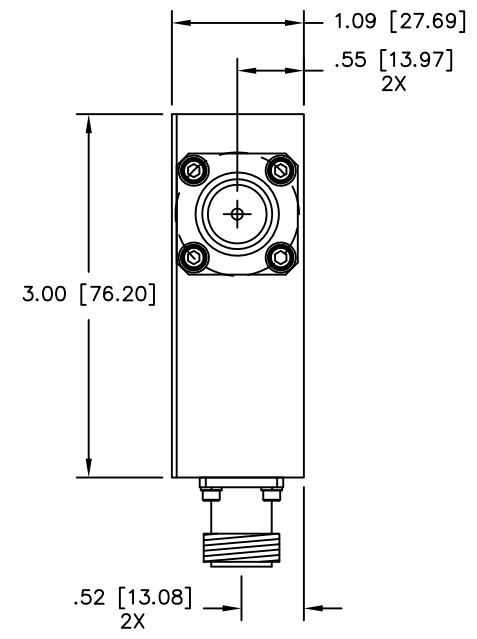
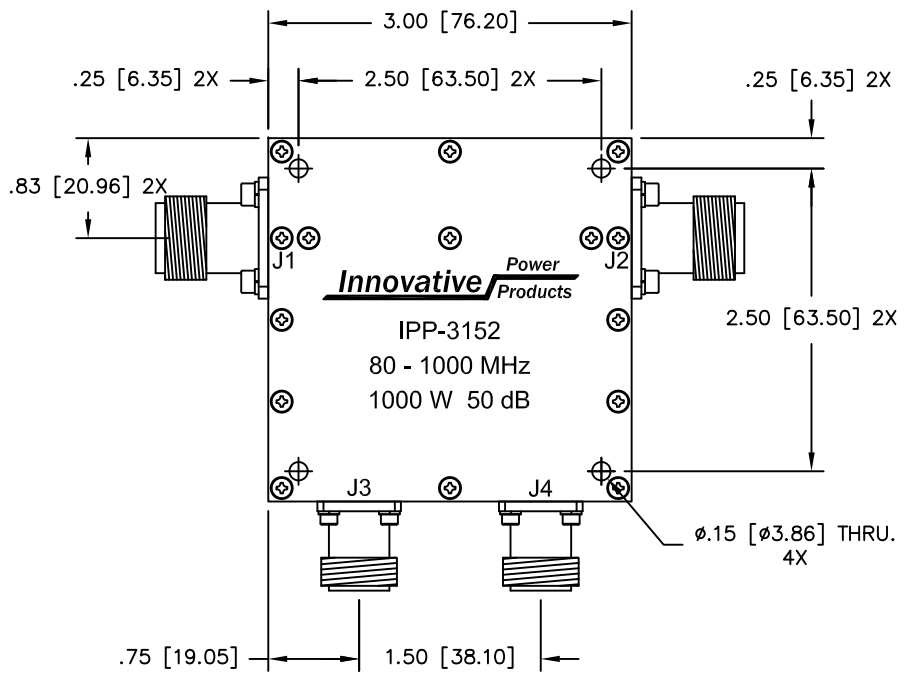


UNAUTHORIZED USE OF THIS  
DRAWING IS STRICTLY PROHIBITED

DAR	REV	DESCRIPTION	APPVD	DATE
3016	A	INITIAL RELEASE	DG	3-11
4483	B	SEE DAR	DG	8-13



**NOTES**

- CONNECTORS J1 & J2:  
TYPE SC-F
- CONNECTORS J3 & J4:  
TYPE N-F

**ELECTRICAL SPECIFICATIONS**

- FREQUENCY: 80 - 1000 MHz.  
 INSERTION LOSS: <0.25dB  
 MAIN LINE VSWR: <1.30:1  
 COUPLING: 50.0 ±1.0dB  
 DIRECTIVITY: >20dB  
 COUPLED FLATNESS: ±0.50dB  
 POWER: 1000 WATT

INPUT	OUTPUT	FORWARD COUPLING	REFLECTED COUPLING
J1	J2	J3	J4
J2	J1	J4	J3

MATERIAL	AL. ALLOY 6061-T651	DWN S.Cornell	DATE 3-30-11			
	FINISH	CHEM FILM CLEAR, PER MIL-DTL-5541, TYPE 2, REV. F, CLASS 3 (ROHS COMPLIANT)	ENG DG			
TOLERANCE		.XXX ±.005 .XX ±.02 ANG. ±1/2°	MANUF	DATE	TITLE OUTLINE, DUAL DIRECTIONAL COUPLER, 80 - 1000 MHz, 50dB, 1000W	
	CAGE CODE: 437R2					
IN [MM]		SHEET OF 1 1	SCALE 1:1	SIZE B	P/N IPP-3152	REV. B