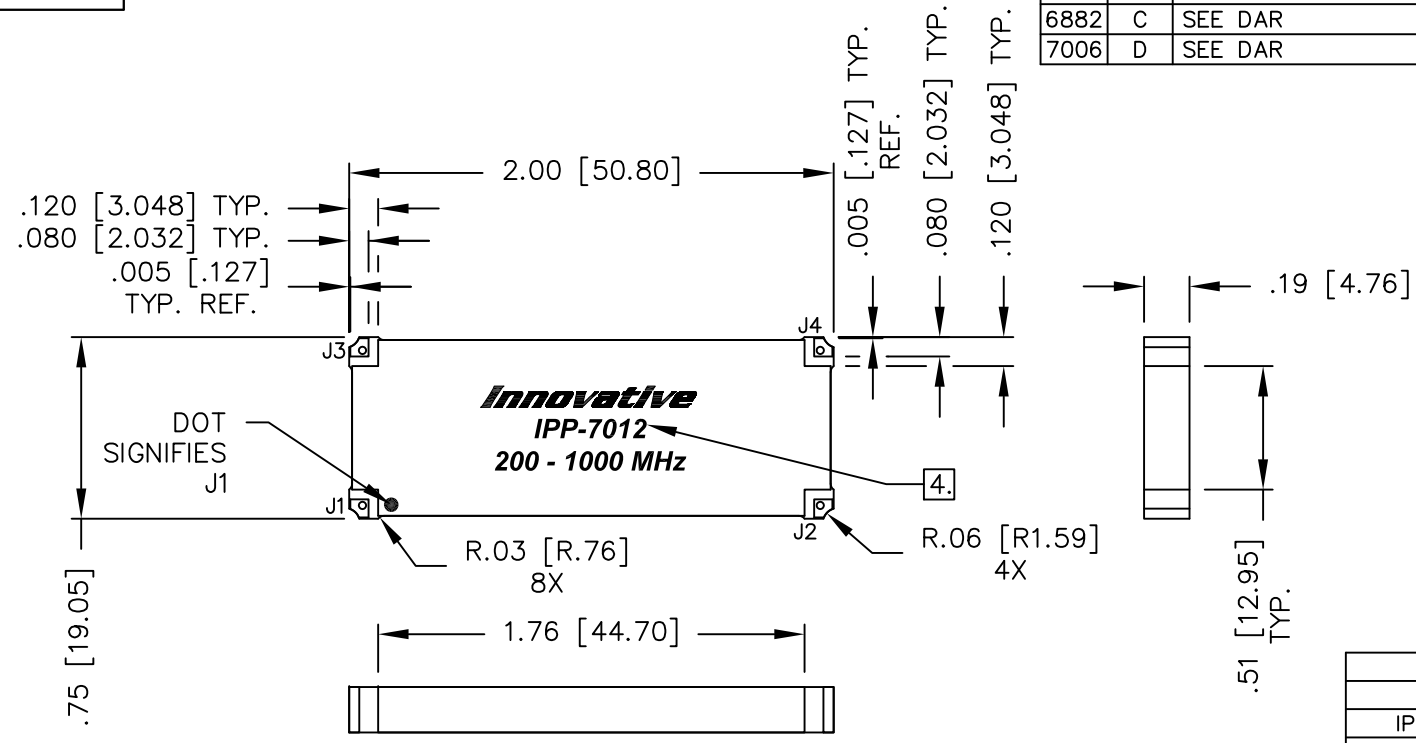


UNAUTHORIZED USE OF THIS
DRAWING IS STRICTLY PROHIBITED

DAR	REV	DESCRIPTION	APPVD	DATE
4292	B	SEE DAR	DG	5-13
6882	C	SEE DAR	DG	9-17
7006	D	SEE DAR	DG	1-18



FINISH	
P/N	TYPE
IPP-7012	TIN/LEAD
IPP-7012RT	RoHS MATTE TIN
IPP-7012RG	RoHS NICKEL GOLD

- NOTES:
- SEE SMD COUPLER APPLICATION NOTE FOR FURTHER INFORMATION.
 - PARTS WITH RoHS MATTE TIN AND RoHS NICKEL GOLD FINISHES ARE RoHS COMPLIANT.
 - AVAILABLE IN TAPE AND REEL. SEE SMD COUPLER APPLICATION NOTE FOR FURTHER INFORMATION.
 - SEE CHART FOR PART NUMBER AND FINISH.

ELECTRICAL SPECIFICATIONS

FREQUENCY: 200 - 1000 MHz.
 INSERTION LOSS: <0.60 dB
 VSWR: <1.30: 1
 ISOLATION: >16dB
 AMPLITUDE BALANCE: ±0.8dB
 PHASE BALANCE: ±5°
 POWER: 150 WATT
 TEMPERATURE: -55°C TO 85°C

PORT CONFIGURATION				
INPUT	J1	J2	J3	J4
J1	---	ISOLATION	-3dB<0 DEG	-3dB<-90 DEG
J2	ISOLATION	---	-3dB<-90 DEG	-3dB<0 DEG
J3	-3dB<0 DEG	-3dB<-90 DEG	---	ISOLATION
J4	-3dB<-90 DEG	-3dB<0 DEG	ISOLATION	---

MATERIAL	DWN DG	DATE 3-09	Innovative <i>Power</i> Products			
FINISH SEE CHART	ENG TJD	DATE 3-09				
TOLERANCE	CAGE CODE: 437R2		TITLE OUTLINE SMD COUPLER, 90°, 200 - 1000 MHz. 150W			
IN [MM]	SHEET 1	OF 1	SCALE 2:1	SIZE B	P/N IPP-7012*	REV. D