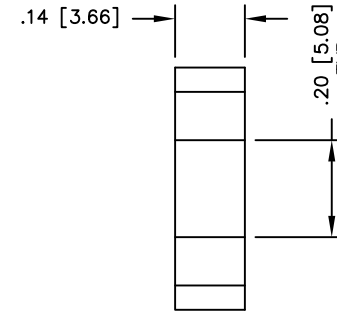
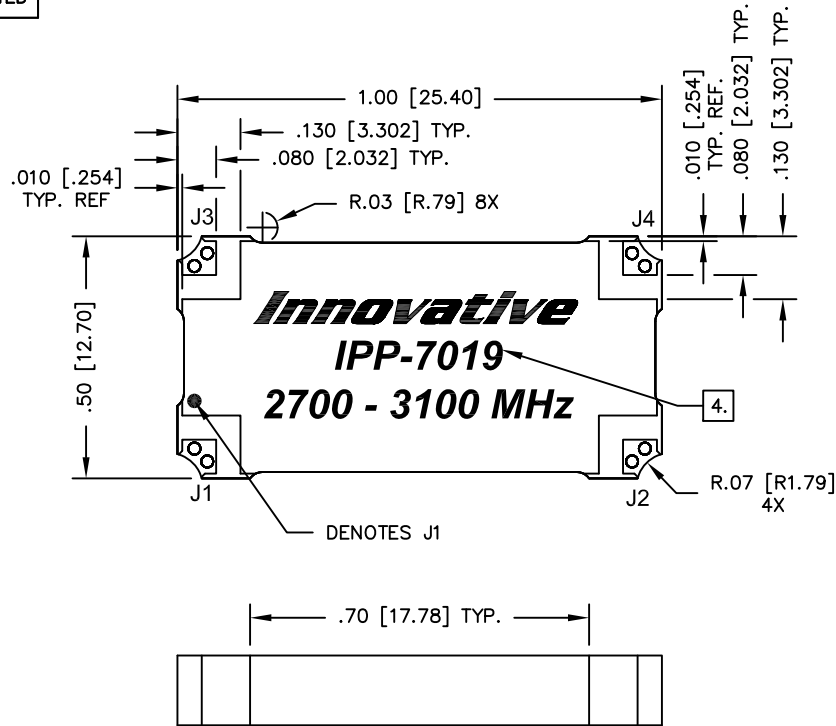


UNAUTHORIZED USE OF THIS
DRAWING IS STRICTLY PROHIBITED

DAR	REV	DESCRIPTION	APPVD	DATE
2235	A	INITIAL RELEASE	TJD	1-10
3829	B	SEE DAR	DG	8-12
7147	C	SEE DAR	DG	5-18



NOTES:

1. SEE SMD COUPLER APPLICATION NOTE FOR FURTHER INFORMATION.
2. PARTS WITH RoHS MATTE TIN AND RoHS NICKEL GOLD FINISHES ARE RoHS COMPLIANT.
3. AVAILABLE IN TAPE AND REEL. SEE SMD COUPLER APPLICATION NOTE FOR FURTHER INFORMATION.
4. SEE CHART FOR PART NUMBER AND FINISH.

ELECTRICAL SPECIFICATIONS

FREQUENCY: 2700 - 3100 MHz.
 INSERTION LOSS: < 0.30 dB
 VSWR: < 1.30:1
 ISOLATION: > 18 dB
 AMPLITUDE BALANCE: ±0.30 dB
 PHASE BALANCE: ±5°
 POWER: 300 WATT
 TEMPERATURE: -55°C TO 85°C

FINISH	
P/N	TYPE
IPP-7019	TIN/LEAD
IPP-7019RT	RoHS MATTE TIN
IPP-7019RC	RoHS NICKEL GOLD

PORT CONFIGURATION				
INPUT	A	B	C	D
J1	--	ISOLATION	-3dB<0 DEG	-3dB<-90 DEG
J2	ISOLATION	--	-3dB<-90 DEG	-3dB<0 DEG
J3	-3dB<0 DEG	-3dB<-90 DEG	--	ISOLATION
J4	-3dB<-90 DEG	-3dB<0 DEG	ISOLATION	--

MATERIAL	DWN DG	DATE 5-08			
FINISH	ENG TJD	DATE 5-08			
SEE FINISH CHART	MANUF TP	DATE 5-08	TITLE OUTLINE		
TOLERANCE	CAGE CODE: 437R2		SMD COUPLER, 90°, 2700 - 3100 MHz. 300W		
IN [MM]	SHEET 1	OF 1	SCALE 4:1	SIZE B	P/N IPP-7019*
.XX ±.02 [.50] .XXX ±.010 [.254] ANG. ±1/2°					REV. C