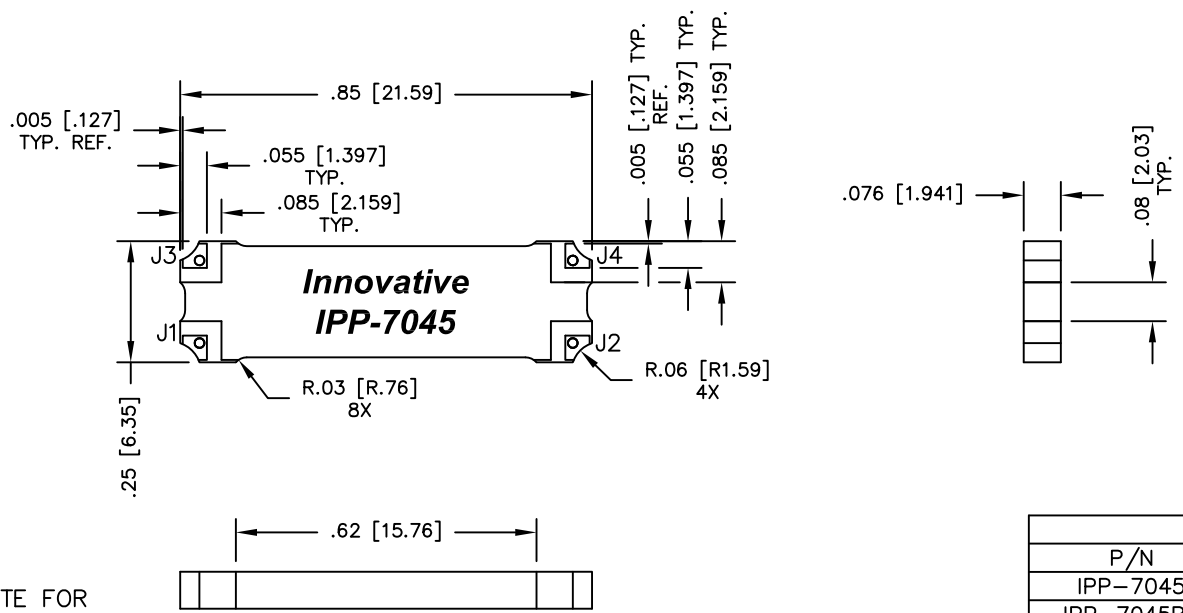


UNAUTHORIZED USE OF THIS  
DRAWING IS STRICTLY PROHIBITED

DAR	REV	DESCRIPTION	APPVD	DATE
2334	A	INITIAL RELEASE	DG	3-10



- NOTES:**
- SEE SMD COUPLER APPLICATION NOTE FOR FURTHER INFORMATION.
  - PARTS WITH RoHS MATT TIN AND RoHS NICKEL GOLD FINISHES ARE RoHS COMPLIANT.
  - AVAILABLE IN TAPE AND REEL. SEE SMD COUPLER APPLICATION NOTE FOR FURTHER INFORMATION.

FINISH	
P/N	TYPE
IPP-7045	TIN/LEAD
IPP-7045RT	RoHS MATTE TIN
IPP-7045RG	RoHS NICKEL GOLD

**ELECTRICAL SPECIFICATIONS**

FREQUENCY: 1500 - 2750 MHz.  
 INSERTION LOSS: <0.25 dB  
 VSWR: <1.25:1  
 ISOLATION: >20dB  
 AMP BAL.: ±0.45dB  
 PHASE BALANCE: ±5°  
 POWER: 150 WATT  
 TEMPERATURE: -55°C TO 85°C

PORT CONFIGURATION				
INPUT	J1	J2	J3	J4
J1	---	ISOLATION	-3dB<0 DEG	-3dB<-90 DEG
J2	ISOLATION	---	-3dB<-90 DEG	-3dB<0 DEG
J3	-3dB<0 DEG	-3dB<-90 DEG	---	ISOLATION
J4	-3dB<-90 DEG	-3dB<0 DEG	ISOLATION	---

MATERIAL	DWN DG	DATE 2-10	<b>Innovative</b> <i>Power</i> <b>Products</b>		
FINISH SEE FINISH CHART	ENG TJD	DATE 2-10			
TOLERANCE	CAGE CODE: 437R2		TITLE OUTLINE		
IN [MM]	SHEET 1	OF 1	SCALE 4:1	SMD COUPLER, 90°, 1500 - 2750 MHz. 150W	
.XX ±.02 [.50] .XXX ±.010 [.254] ANG. ±1/2°	SIZE B	P/N	IPP-7045*	REV. A	