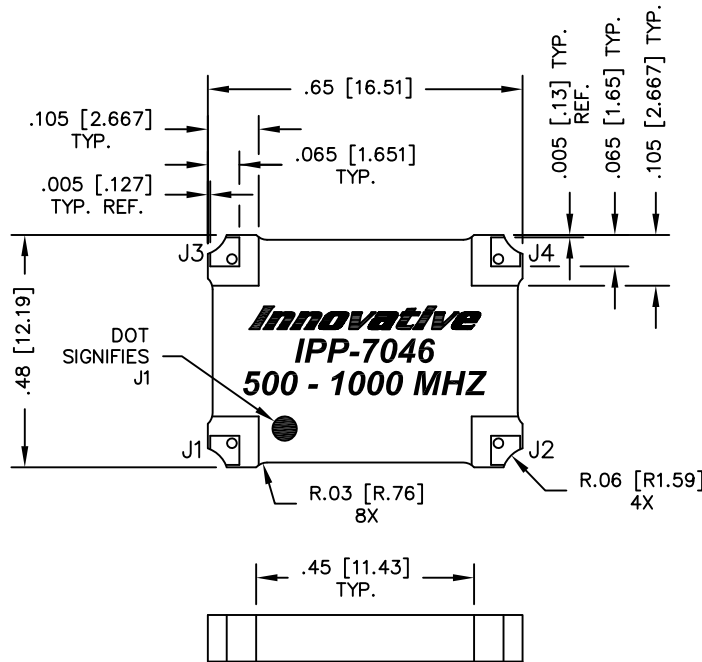


UNAUTHORIZED USE OF THIS
DRAWING IS STRICTLY PROHIBITED

DAR	REV	DESCRIPTION	APPVD	DATE
2359	A	INITIAL RELEASE	DG	3-10
2429	B	SEE DAR	DG	4-10
3856	C	SEE DAR	DG	8-12
4939	D	SEE DAR	TJD	4-14



NOTES:

1. SEE SMD COUPLER APPLICATION NOTE FOR FURTHER INFORMATION.
2. PARTS WITH RoHS MATTE TIN AND RoHS NICKEL GOLD FINISHES ARE RoHS COMPLIANT.
3. AVAILABLE IN TAPE AND REEL. SEE SMD COUPLER APPLICATION NOTE FOR FURTHER INFORMATION.

ELECTRICAL SPECIFICATIONS

FREQUENCY:	500 - 1000 MHz.
INSERTION LOSS:	<0.25 dB
VSWR:	<1.25:1
ISOLATION:	>18 dB
AMPLITUDE BALANCE:	±0.55 dB
PHASE BALANCE:	±5°
POWER:	200 WATT
TEMPERATURE:	-55°C TO 85°C

FINISH	
P/N	TYPE
IPP-7046	TIN/LEAD
IPP-7046RT	RoHS MATTE TIN
IPP-7046RG	RoHS NICKEL GOLD

PORT CONFIGURATION				
INPUT	J1	J2	J3	J4
J1	---	ISOLATION	-3dB<0 DEG	-3dB<-90 DEG
J2	ISOLATION	---	-3dB<-90 DEG	-3dB<0 DEG
J3	-3dB<0 DEG	-3dB<-90 DEG	---	ISOLATION
J4	-3dB<-90 DEG	-3dB<0 DEG	ISOLATION	---

MATERIAL	DWN S.Cornell	DATE 3-8-10				
FINISH	ENG DG	DATE 3-10				
SEE FINISH CHART	MANUF	DATE	TITLE OUTLINE			
TOLERANCE	CAGE CODE: 437R2		SMD COUPLER, 90°, 500 - 1000 MHz. 200W			
IN [MM]	.XX ±.02 [.50]	SHEET OF 1 1	SCALE 4:1	SIZE B	P/N IPP-7046*	REV. D
	.XXX ±.010 [.254]					
	ANG. ±1/2°					