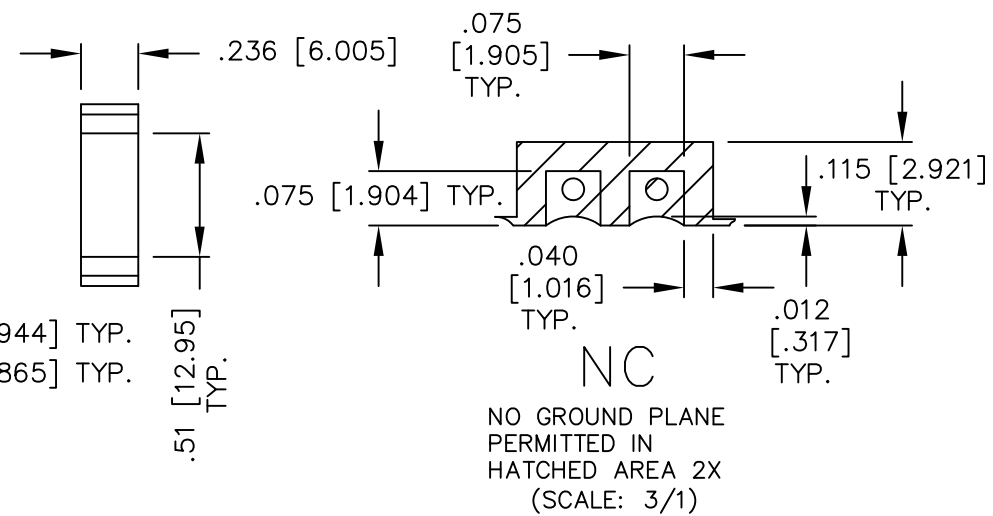
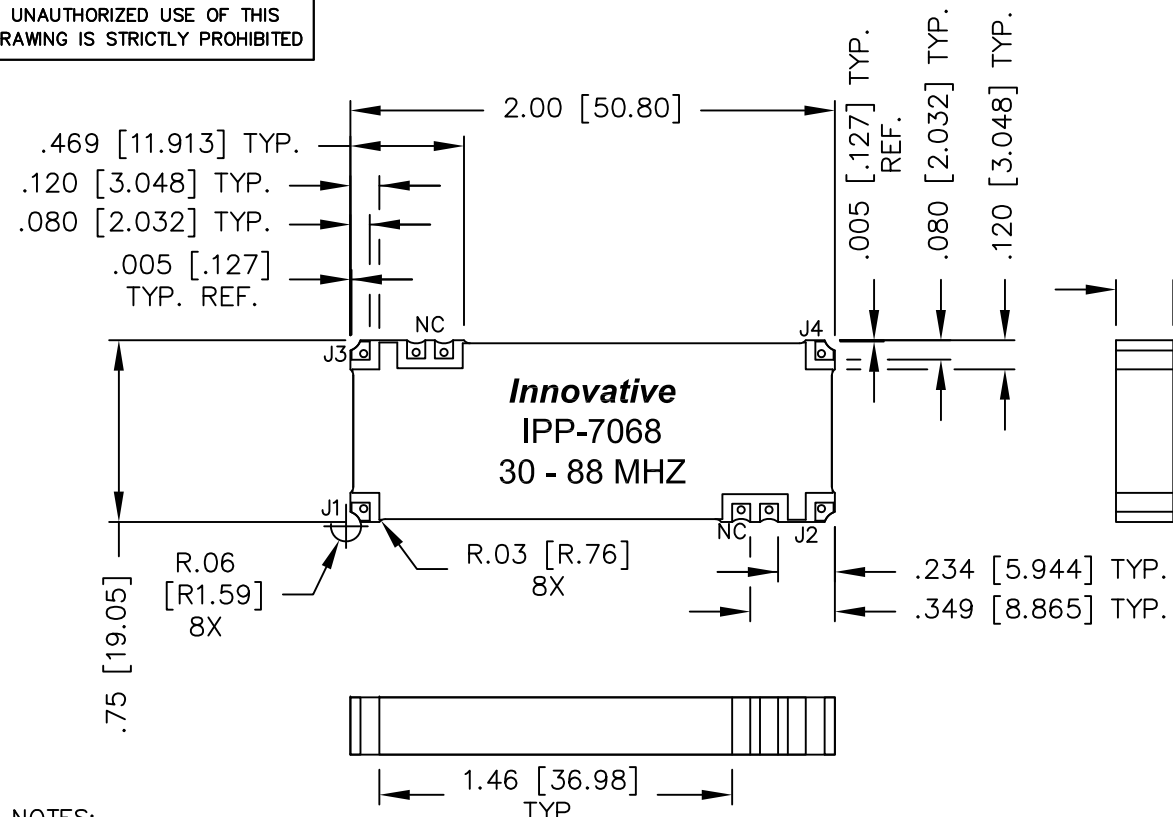


UNAUTHORIZED USE OF THIS  
DRAWING IS STRICTLY PROHIBITED

DAR	REV	DESCRIPTION	APPVD	DATE
4445	E	SEE DAR	DG	7-13
4567	F	SEE DAR	DG	9-13
7182	G	SEE DAR	DG	6-18



- NOTES:**
1. SEE SMD COUPLER APPLICATION NOTE FOR FURTHER INFORMATION.
  2. PARTS WITH RoHS MATTE TIN AND RoHS NICKEL GOLD FINISHES ARE RoHS COMPLIANT.
  3. AVAILABLE IN TAPE AND REEL. SEE SMD COUPLER APPLICATION NOTE FOR FURTHER INFORMATION.

**ELECTRICAL SPECIFICATIONS**

FREQUENCY: 30 - 88MHz.  
 INSERTION LOSS: <0.53 dB  
 VSWR: <1.35:1  
 ISOLATION: >15.5dB  
 AMPLITUDE BALANCE: ±1.0dB  
 PHASE BALANCE: ±7°  
 POWER: 200 WATT  
 TEMPERATURE: -55°C TO 85°C

FINISH	
P/N	TYPE
IPP-7068	TIN/LEAD
IPP-7068RT	RoHS MATTE TIN
IPP-7068RG	RoHS NICKEL GOLD

PORT CONFIGURATION				
INPUT	J1	J2	J3	J4
J1	---	ISOLATION	-3dB<0 DEG	-3dB<-90 DEG
J2	ISOLATION	---	-3dB<-90 DEG	-3dB<0 DEG
J3	-3dB<0 DEG	-3dB<-90 DEG	---	ISOLATION
J4	-3dB<-90 DEG	-3dB<0 DEG	ISOLATION	---

MATERIAL	DWN DG	DATE 12-10	<b>Innovative Power Products</b>		
FINISH SEE CHART	ENG TJD	DATE 12-10			
TOLERANCE	MANUF TP	DATE	TITLE OUTLINE		
IN [MM]	CAGE CODE: 437R2		SMD COUPLER, 90°, 30 - 88 MHz, 200W		
.XX ±.02 [.50] .XXX ±.010 [.254] ANG. ±1/2°	SHEET OF 1 1	SCALE 2:1	SIZE B	P/N IPP-7068*	REV. G