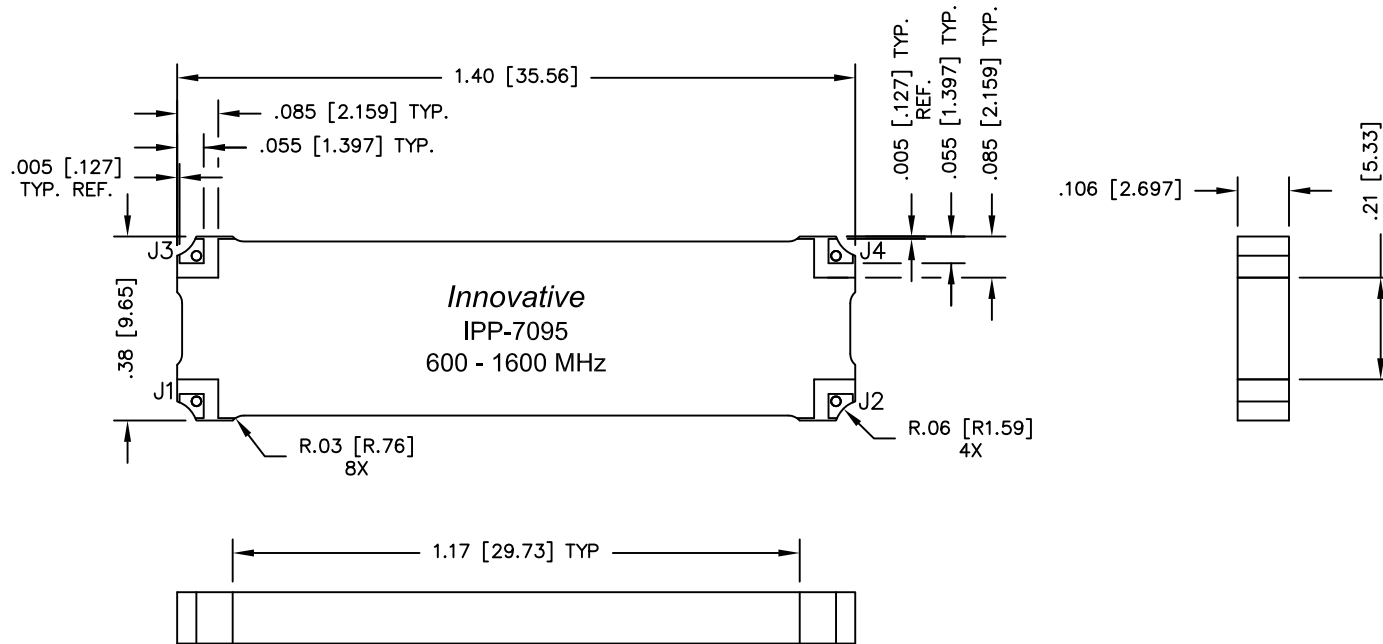


UNAUTHORIZED USE OF THIS  
DRAWING IS STRICTLY PROHIBITED

DAR	REV	DESCRIPTION	APPVD	DATE
3403	A	INITIAL RELEASE	TJD	11-11
6616	B	SEE DAR	TJD	3-17



FINISH	
P/N	TYPE
IPP-7095	TIN/LEAD
IPP-7095RT	RoHS MATTE TIN
IPP-7095RG	RoHS NICKEL GOLD

**NOTES:**

1. SEE SMD COUPLER APPLICATION NOTE FOR FURTHER INFORMATION.
2. AVAILABLE IN TAPE AND REEL. SEE SMD COUPLER APPLICATION NOTE FOR FURTHER INFORMATION.

**ELECTRICAL SPECIFICATIONS**

FREQUENCY: 600 - 1600 MHz.  
 INSERTION LOSS: <0.25 dB  
 VSWR: <1.25:1  
 ISOLATION: >19dB  
 AMP BAL: ±0.85dB  
 PHASE BALANCE: ±5°  
 POWER: 150 WATT  
 TEMPERATURE: -55°C TO 85°C

PORT CONFIGURATION				
INPUT	J1	J2	J3	J4
J1	---	ISOLATION	-3dB<0 DEG	-3dB<-90 DEG
J2	ISOLATION	---	-3dB<-90 DEG	-3dB<0 DEG
J3	-3dB<0 DEG	-3dB<-90 DEG	---	ISOLATION
J4	-3dB<-90 DEG	-3dB<0 DEG	ISOLATION	---

MATERIAL	DWN	DG	DATE	11-11		
	ENG	TJD	DATE	11-11		
FINISH SEE FINISH CHART	MANUF	DATE				
	CAGE CODE: 437R2			TITLE OUTLINE SMD COUPLER, 90°, 600 - 1600 MHz. 150W		
TOLERANCE	SHEET	OF	SCALE	SIZE	P/N	REV.
IN [MM]						