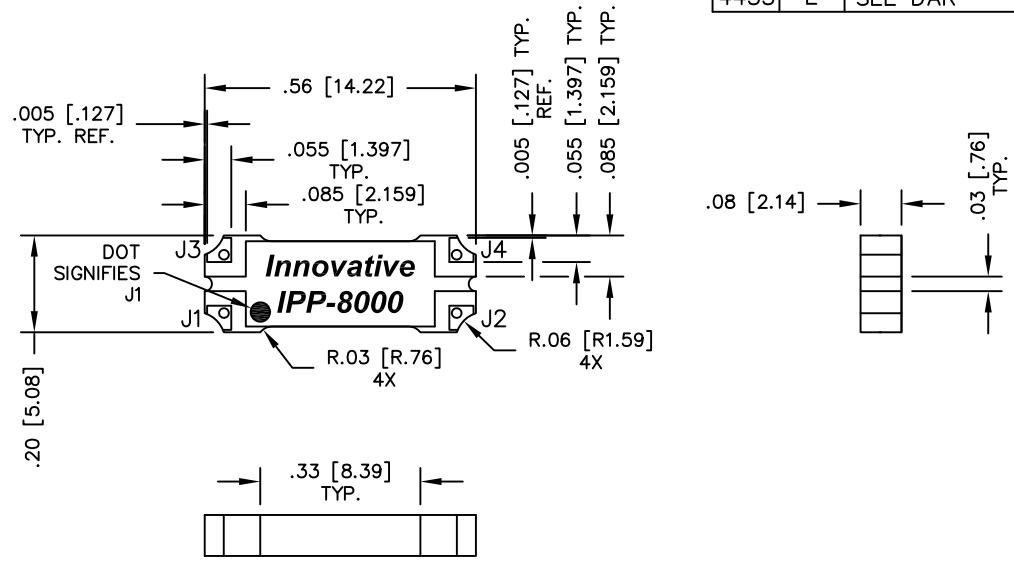


UNAUTHORIZED USE OF THIS
DRAWING IS STRICTLY PROHIBITED

| DAR | REV | DESCRIPTION | APPVD | DATE |
|------|-----|-----------------|-------|-------|
| 1697 | A | INITIAL RELEASE | DG | 1-09 |
| 1754 | B | SEE DAR | DG | 1-09 |
| 1759 | C | SEE DAR | DG | 2-09 |
| 4026 | D | SEE DAR | TJD | 11-12 |
| 4453 | E | SEE DAR | DG | 7-13 |



| FINISH | |
|------------|------------------|
| P/N | TYPE |
| IPP-8000 | TIN/LEAD |
| IPP-8000RT | RoHS MATTE TIN |
| IPP-8000RG | RoHS NICKEL GOLD |

- NOTES:**
- SEE SMD COUPLER APPLICATION NOTE FOR FURTHER INFORMATION.
 - PARTS WITH RoHS MATTE TIN AND RoHS NICKEL GOLD FINISHES ARE RoHS COMPLIANT.
 - AVAILABLE IN TAPE AND REEL. SEE SMD COUPLER APPLICATION NOTE FOR FURTHER INFORMATION.

| PORT CONFIGURATION | | | |
|--------------------|--------|------------------------|------------------------|
| INPUT | OUTPUT | FORWARD COUPLED | REFLECTED COUPLED |
| J1 | J2 | J3 | J4 ADD 50Ω TERMINATION |
| J1 | J2 | J3 ADD 50Ω TERMINATION | J4 |
| J2 | J1 | J4 | J3 ADD 50Ω TERMINATION |
| J2 | J1 | J4 ADD 50Ω TERMINATION | J3 |

ELECTRICAL SPECIFICATIONS

FREQUENCY: 2000 – 6000 MHz.
 INSERTION LOSS: <0.25 dB
 MAIN LINE VSWR: <1.30:1
 COUPLING: 10 ±1.0dB
 DIRECTIVITY: >18dB
 COUPLED FLATNESS: ±1.6dB
 POWER: 100 WATT
 TEMPERATURE: -55°C TO 85°C

| | | | | |
|-------------------|------------------|-----------|-----------|---------------------------------------|
| MATERIAL | DWN DG | DATE 1-09 | | |
| FINISH | ENG TJD | DATE 1-09 | | |
| SEE FINISH CHART | MANUF TP | DATE 1-09 | | |
| TOLERANCE | CAGE CODE: 437R2 | | TITLE | |
| IN [MM] | SHEET 1 | OF 1 | SCALE 4:1 | OUTLINE, SMD COUPLER |
| .XX ±.02 [.50] | | | | BI-DIRECTIONAL, 2000 - 6000 MHZ. 100W |
| .XXX ±.010 [.254] | | | | SIZE B |
| ANG. ±1/2° | | | | P/N IPP-8000* |
| | | | | REV. E |