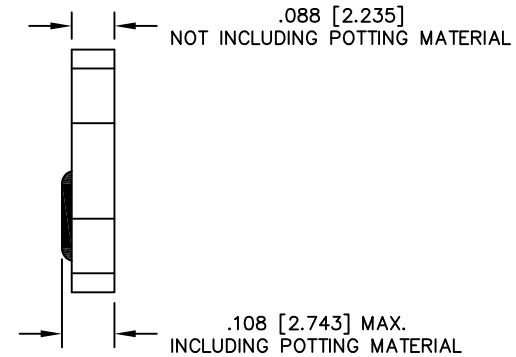
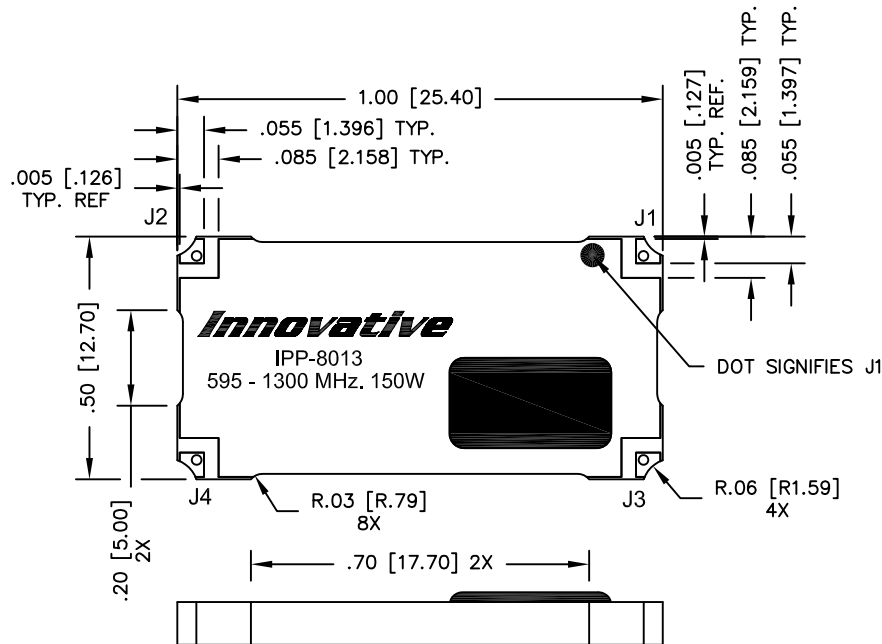


UNAUTHORIZED USE OF THIS
DRAWING IS STRICTLY PROHIBITED

DAR	REV	DESCRIPTION	APPVD	DATE
4840	H	SEE DAR	DG	3-14
5113	J	SEE DAR	DG	8-14
6646	K	SEE DAR	DG	4-17



NOTES:

1. SEE SMD COUPLER APPLICATION NOTE FOR FURTHER INFORMATION.
2. AVAILABLE IN TAPE AND REEL. SEE SMD COUPLER APPLICATION NOTE FOR FURTHER INFORMATION.
3. DO NOT EXCEED 220°C WHEN INSTALLING COUPLER.

ELECTRICAL SPECIFICATIONS

FREQUENCY: 595 - 1300 MHz.
 INSERTION LOSS: <0.25 dB
 MAIN LINE VSWR: <1.25:1
 CPL LINE VSWR: <2.5:1
 COUPLING: 34dB ±1.0 dB
 COUPLING FLATNESS: ±0.75 dB
 DIRECTIVITY: >18 dB
 POWER: 150 WATT
 TEMPERATURE: -55°C TO +100°C

FINISH	
P/N	TYPE
IPP-8013	TIN/LEAD

PORT CONFIGURATION			
INPUT	OUTPUT	FORWARD COUPLED	REFLECTED COUPLED
J1	J2	J3	J4 ADD 50Ω TERMINATION

MATERIAL	DWN DG	DATE 11-09	
FINISH SEE FINISH CHART	ENG TJD	DATE 11-09	
TOLERANCE IN [MM]	CAGE CODE: 437R2		
.XX ±.02 [.50] .XXX ±.010 [.254] ANG. ±1/2°	SHEET 1	OF 1	SCALE 4:1
	SIZE B	P/N	IPP-8013
			REV. K
TITLE			OUTLINE, SMD COUPLER SDC, 595 - 1300 MHz 34dB 150W