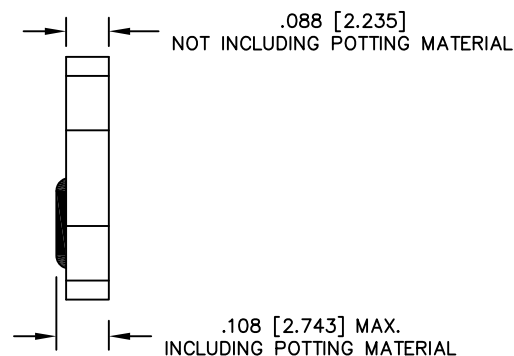
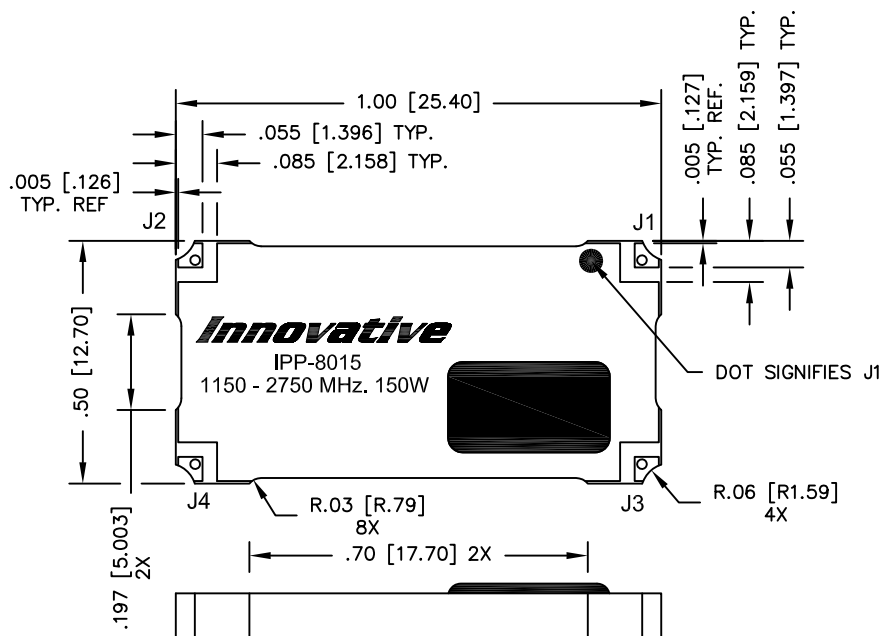


UNAUTHORIZED USE OF THIS
DRAWING IS STRICTLY PROHIBITED

DAR	REV	DESCRIPTION	APPVD	DATE
5113	J	SEE DAR	DG	8-14
5214	K	SEE DAR	DG	10-14
6646	L	SEE DAR	DG	4-17



NOTES:

- SEE SMD COUPLER APPLICATION NOTE FOR FURTHER INFORMATION.
- AVAILABLE IN TAPE AND REEL. SEE SMD COUPLER APPLICATION NOTE FOR FURTHER INFORMATION.
- DO NOT EXCEED 220°C WHEN INSTALLING COUPLER.

ELECTRICAL SPECIFICATIONS

FREQUENCY: 1150 - 2750 MHz.
 INSERTION LOSS: <0.25 dB
 MAIN LINE VSWR: <1.25:1
 CPL LINE VSWR: <2.5:1
 COUPLING: 34dB ±0.75 dB
 DIRECTIVITY: >18 dB
 POWER: 150 WATT
 TEMPERATURE: -55°C TO +100°C
 COUPLED FLATNESS: <0.50 dB

FINISH	
P/N	TYPE
IPP-8015	TIN/LEAD

PORT CONFIGURATION			
INPUT	OUTPUT	FORWARD COUPLED	REFLECTED COUPLED
J1	J2	J3	J4 ADD 50Ω TERMINATION

MATERIAL	DWN DG	DATE 11-09	Innovative <i>Power</i> Products	
FINISH SEE FINISH CHART	ENG TJD	DATE 11-09		
TOLERANCE IN [MM]	CAGE CODE: 437R2		TITLE OUTLINE, SMD COUPLER SDC, 1150 - 2750 MHz 34dB 150W	
.XX ±.02 [.50] .XXX ±.010 [.254] ANG. ±1/2°	SHEET 1	OF 1	SCALE 4:1	SIZE B
	P/N		IPP-8015	REV. L