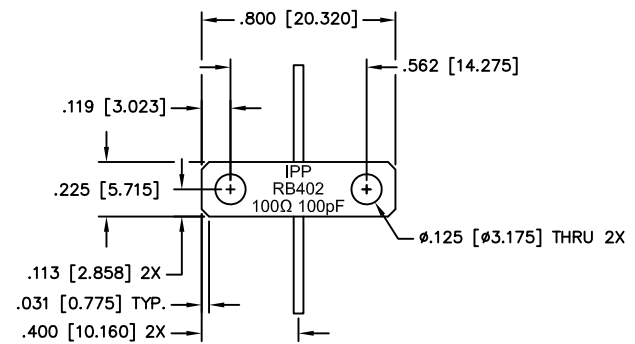


UNAUTHORIZED USE OF THIS
DRAWING IS STRICTLY PROHIBITED

DAR	REV	DESCRIPTION	APPVD	DATE
5585	A	INITIAL RELEASE	DG	5-15

PRELIMINARY
DIMENSIONS AND SPECIFICATIONS
ARE SUBJECT TO CHANGE UNTIL
INITIAL RELEASE OF DRAWING.



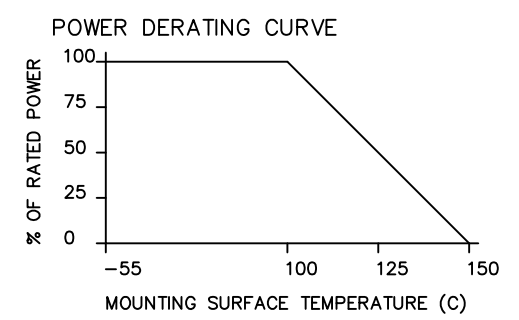
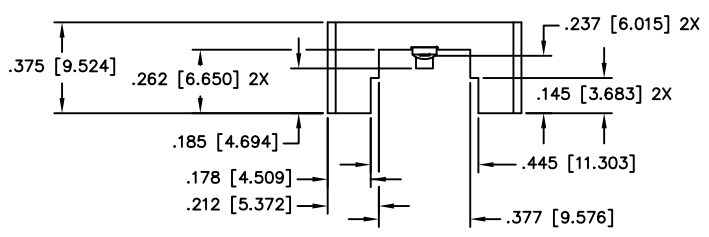
(REF: 100 OHM, 100pF VALUE SHOWN)

NOTES:

- LEAD MATERIAL: 99.99% PURE SILVER, .040 [1.016] WIDE x .005 [.127] THICK x .500 [12.700] MIN. LONG.
- SUBSTRATE MATERIAL: BeO
- FLANGE MATERIAL: ALUMINUM
- PLATING: NICKEL
- LEAD(S) WELDED TO SUBSTRATE.

ELECTRICAL SPECIFICATIONS

FREQUENCY: DC - 3000 MHZ.



PART NO.	PER RESISTOR				DC BLOCKING CAPACITOR
	VALUE	TOLERANCE	POWER	CAPACITANCE	
IPP-RB402-100-0100	100	+/- 5%	15W	0.75 pF	100 pF
IPP-RB402-200-0100	200	+/- 5%	15W	0.75 pF	100 pF

MATERIAL	<u>2</u> <u>3</u>	DWN S.Cornell	DATE 5-11-15	Innovative <i>Power</i> Products
FINISH	<u>4</u>	ENG DG	DATE 5-15	
TOLERANCE	.xx ±.02 [.50] .xxx ±.010 [.254]	MANUF	DATE	TITLE
IN [MM]		CAGE CODE: 437R2		FEEDBACK RES, FLANGED
		SHEET OF 1 1	SCALE 2:1	SIZE B
				P/N IPP-RB402-XXX-XXXX
				REV. A