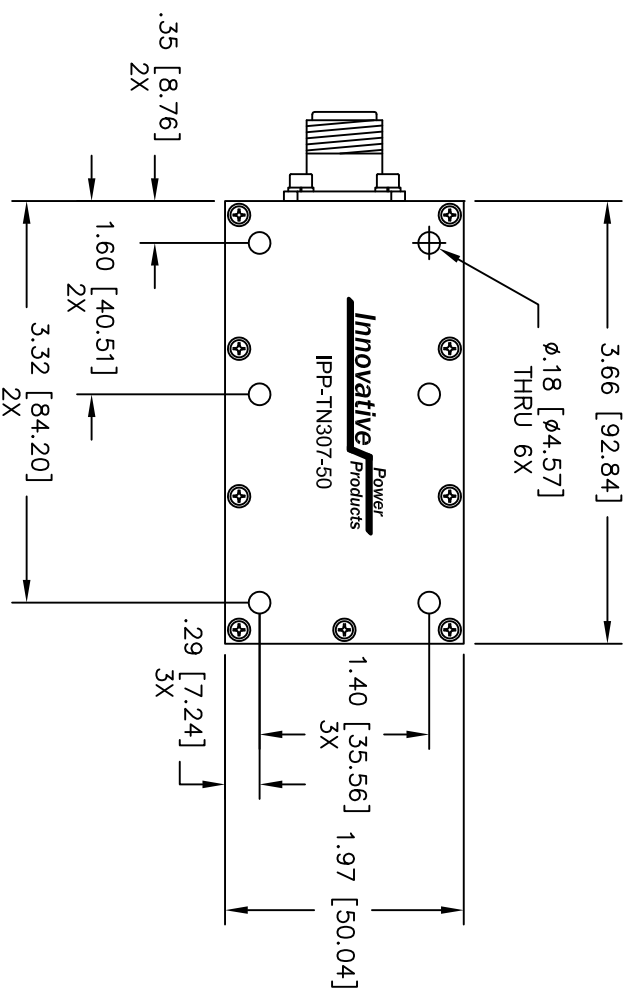
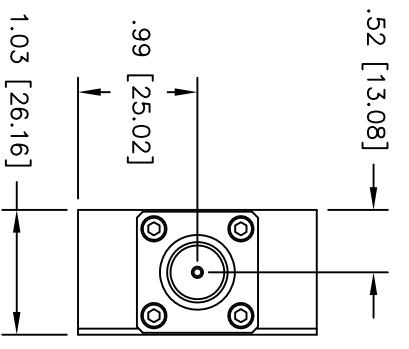


UNAUTHORIZED USE OF THIS
DRAWING IS STRICTLY PROHIBITED

DAR	REV	DESCRIPTION	APPVD	DATE
8791	A	INITIAL RELEASE	TJD	2-22

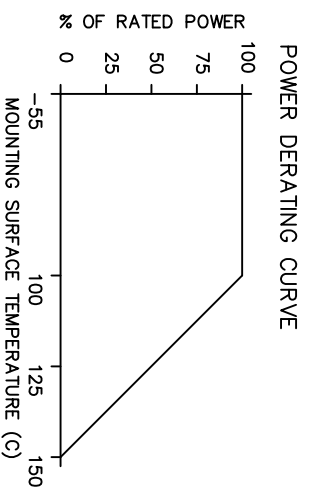


NOTES

- CONNECTOR TYPE "N" FEMALE
- ROHS COMPLIANT.

ELECTRICAL SPECIFICATIONS

INPUT POWER: 600 WATT
 FREQ: DC - 500MHZ.
 VSWR: <1.50:1
 TEMPERATURE: -55°C TO 100°C



PART NO.	VALUE	TOLERANCE
IPP-TN307-50	50 OHMS	+/- 5%

MATERIAL AL. ALLOY 6061-T651	DMN S.Cornell	DATE 8-5-19	TITLE TERM, AIN, 600 WATT, CONNECTORIZED
FINISH CHEM FILM CLEAR PER MIL-DTL-5541, TYPE 2, REV F. CLASS 3, ROHS COMPLIANT	ENG DG	DATE 8-19	
TOLERANCE .XX ±.02 .XXX ±.010 ANG. ±1/2°	MANUF	DATE	
	CAGE CODE: 437R2	SCALE 1:1	SIZE B
	SHEET 1	OF 1	P/N IPP-TN307-XXX
			REV. A

Innovative Power Products